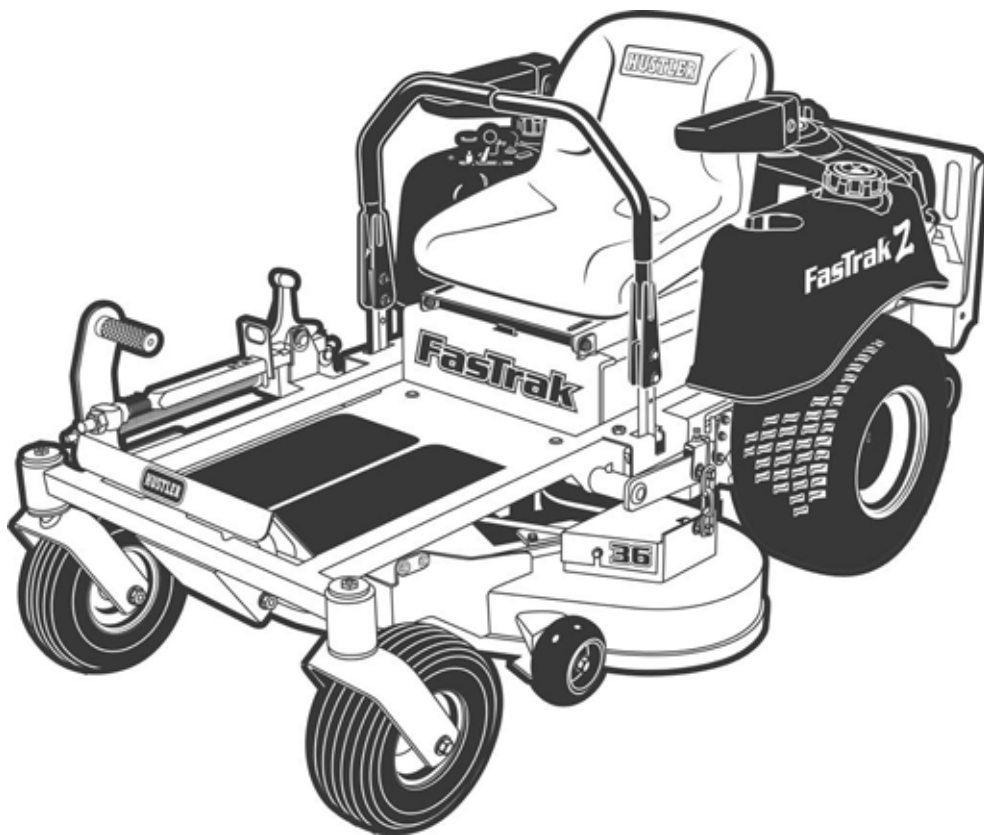


Hustler FasTrak *FasTrak*
36" & 42" Decks
CE Parts Manual



HUSTLER®

.....

Hustler Turf Equipment

.....

P.O. Box 7000

...

Hesston, Kansas

•

67062-2097

Table of Contents

Section 1	
General Information	1-1
Section 2	
Mower Frame Rivet Nut Installation	2-2
Engine Guard and Anti-rollover Bracket Assemblies	2-3
Footrest Assembly	2-4
Section 3	
Battery Installation.	3-2
Deck Lift Assembly	3-3
Hydro Transmission Installation S/N Prior To 07091558	3-4
Hydro Transmission Installation S/N Higher Than 07091558.	3-6
Steering and Brake Assembly.	3-8
Section 4	
Honda Engine Installation—S/N Prior To 09010000	4-2
Honda Engine Installation—S/N Higher Than 09010000	4-6
Kohler Engine Installation	4-10
Fuel System Installation	4-14
Instrument Panel Installation	4-16
Honda Electrical Schematic (601393& 793083)	4-18
Kohler Electrical Schematic (601127& 793117)	4-20
Section 5	
Front Wheel Assembly	5-2
Front Wheel Breakdown -768044	5-3
Drive Wheel Assembly	5-4
Section 6	
Deck Assembly 36" SN Prior to 10020000	6-2
Deck Assembly 36" SN Higher Than 10020000	6-4
Deck Pulley Assembly 36"	6-6
Deck Assembly 42" SN Prior to 10020000	6-10
Deck Assembly 42" SN Higher Than 10020000	6-12
Deck Pulley Assembly 42"	6-14
Blade Spindle Assembly Breakdown	6-17
Section 7	
Deck Installation	7-2
Belt Routing and Tensioning.	7-3
Seat Installation.	7-4
Section 8	
Mower Decals	8-2
42" Deck Decals	8-4
36" Deck Decals	8-5
Index	i-1

Section 1

General Information

This Manual covers "Mini" FasTrak 15/36 model **927343CE**, "Mini" FasTrak 17/42 model **927350CE**, "Mini" FasTrak 16/42 model **927368CE**, & "Mini" FasTrak 16/36 model **927376CE**

Frequently Ordered Parts

PART NO.	DESCRIPTION
793836	Pump Drive Belt
793828	Deck Belt 36"
793893	Deck Belt 42"
068478	Fuel Filter Kohler
785626	Fuel Filter Honda
794370	Air Filter, Kohler
787226	Air Filter, Honda
747303	Engine Oil Filter, Kohler
787234	Engine Oil Filter, Honda
793794	20.50" 42D X 0.631 CW Blade
793802	13.75" 42D X 0.631 CW Blade

Service Literature

PART NO.	DESCRIPTION
601156	Owners Manual
794313	Kohler Engine Manual
787242	Honda 16 HP Engine Manual

Options

PART NO.	DESCRIPTION
793331	Armrest Kit
338442	Mulch Kit, 36/42"

Note: When ordering parts, you must use the part number as shown for each part, not the index number. Always give the model and serial number to your parts and service representative.

Note: Items sold in bulk such as seals and hoses are sold by the foot.

Using this manual

Illustrations used were current at the time of printing, but subsequent production changes may cause your machine to vary slightly in detail. Excel Industries, Inc. reserves the right to redesign and change the machine as deemed necessary, without notification. If a change has been made to your machine which is not reflected in this parts manual, see your Hustler dealer for current information and parts.

Hardware Description Codes & Abbreviations

The following codes are used throughout this parts manual. Refer to this list when ordering parts.

ABBREVIATION	DESCRIPTION
CB	Carriage Bolt
CE	Clevis Pin
CP	Cotter Pin
CS	Cap Screw
CW	Cup Washer
FDRW	Fender Washer
FW	Flat Washer
HX	Hex Head
LW	Lock Washer
MB	Machine Bushing
MS	Machine Screw
NT	Nut
SC	Self Tapping Cap Screw
SH	Socket Head
SB	Shoulder Bolt
SS	Set Screw
OD	Outside Diameter
ID	Inside Diameter

Standard Torques

The following chart lists the standard torque values for the threaded fasteners found in this manual. Torque all cap screws, nuts and set screws to these values unless a different torque is shown in the Notes section next to the fastener

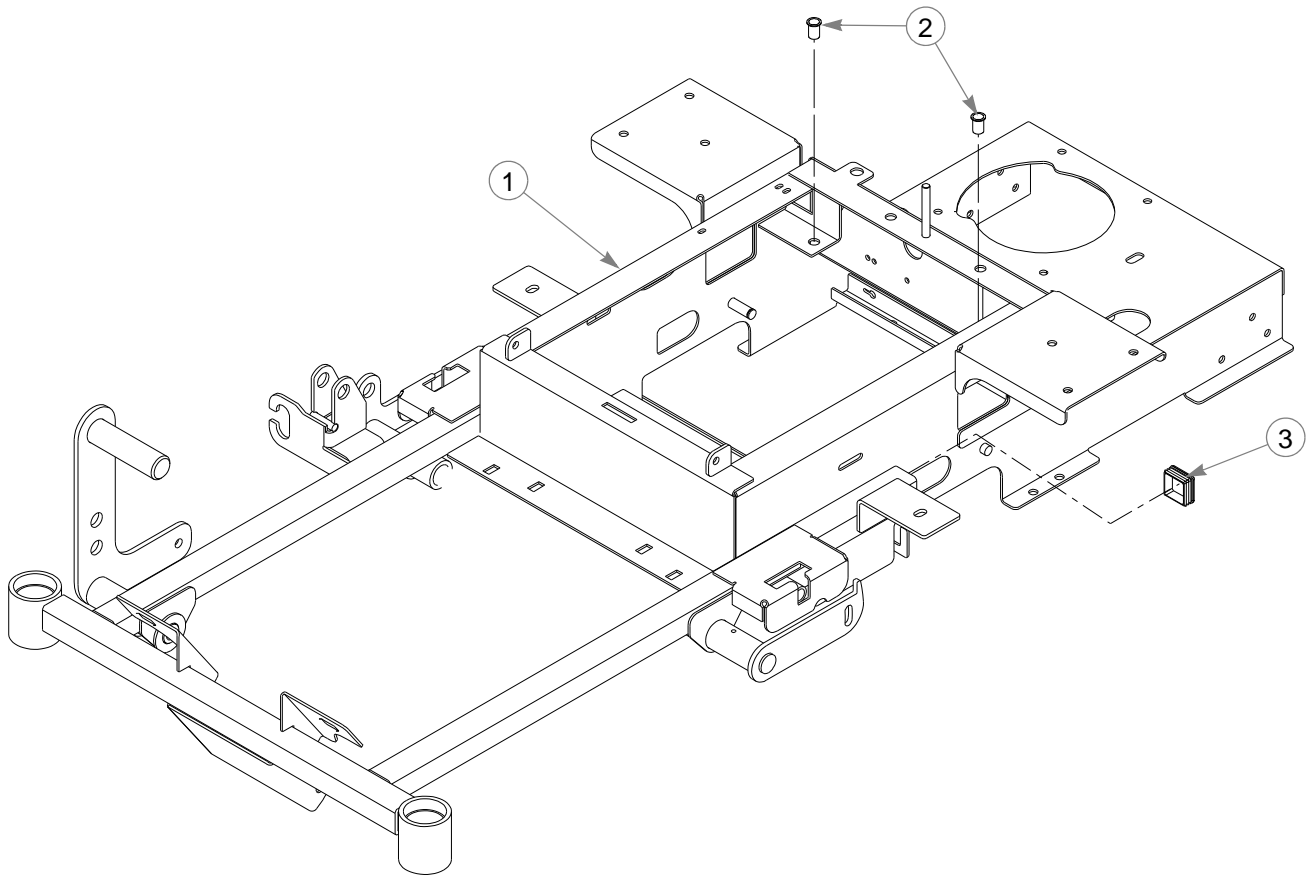
SIZE	FT-LBS	NM	SIZE	FT-LBS	NM
.250	8.2	11.1	M3	1	1.3
.312	17	23	M4	2.2	3
.375	30	40	M5	4.5	6.1
.438	48	65	M6	7.7	10.4
.500	73	99	M8	18.5	25
.562	105	143	M10	37	50
.625	145	200	M12	64	87
.750	260	350	M16	160	215
.875	420	565	M20	320	435
1.00	625	850	M24	555	750

Note: Lubricate all grease zerks.

Section 2

Mower Frame Rivet Nut Installation.	2-2
Engine Guard and Anti-rollover Bracket Assemblies.	2-3
Footrest Assembly.	2-4

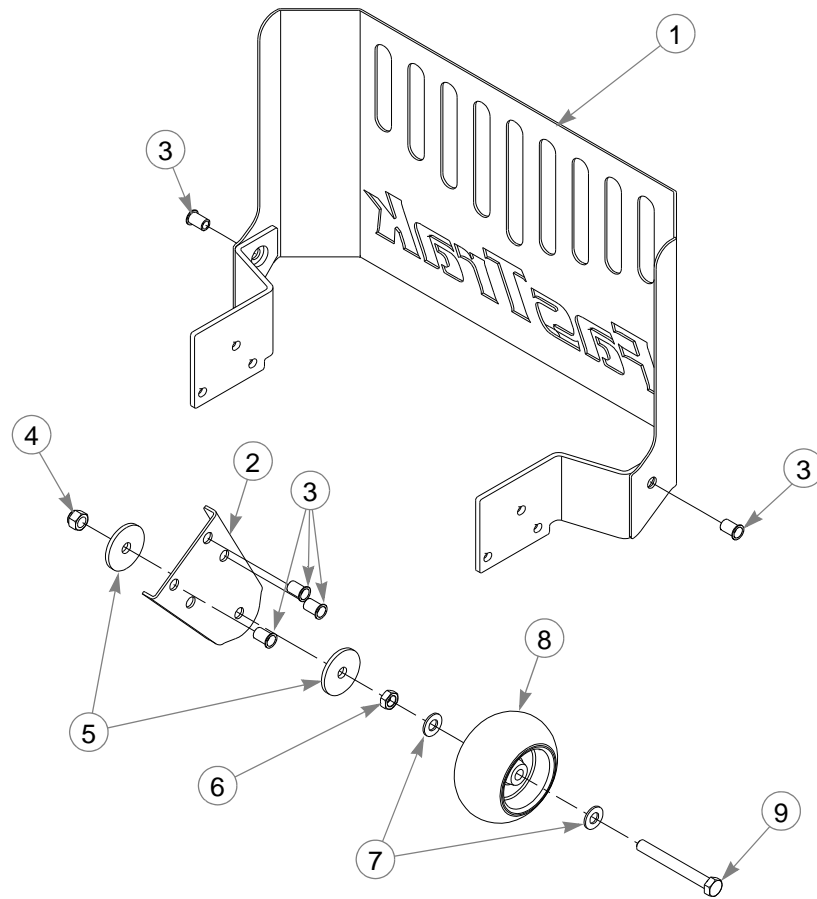
Mower Frame Rivet Nut Installation



INDEX NO.	SERVICE PART NO.	MFG. PART NO.	QTY.	DESCRIPTION
1	546911	315440	1	FASTRAK 36 FRAME
	546895	320242	1	FASTRAK 42 FRAME
2	808493	808493	2	3/8-16 THREAD RIVET NUT
3	793869	793869	2	1.5 SQ TUBE PLUG

NOTES:

Engine Guard and Anti-rollover Bracket Assemblies

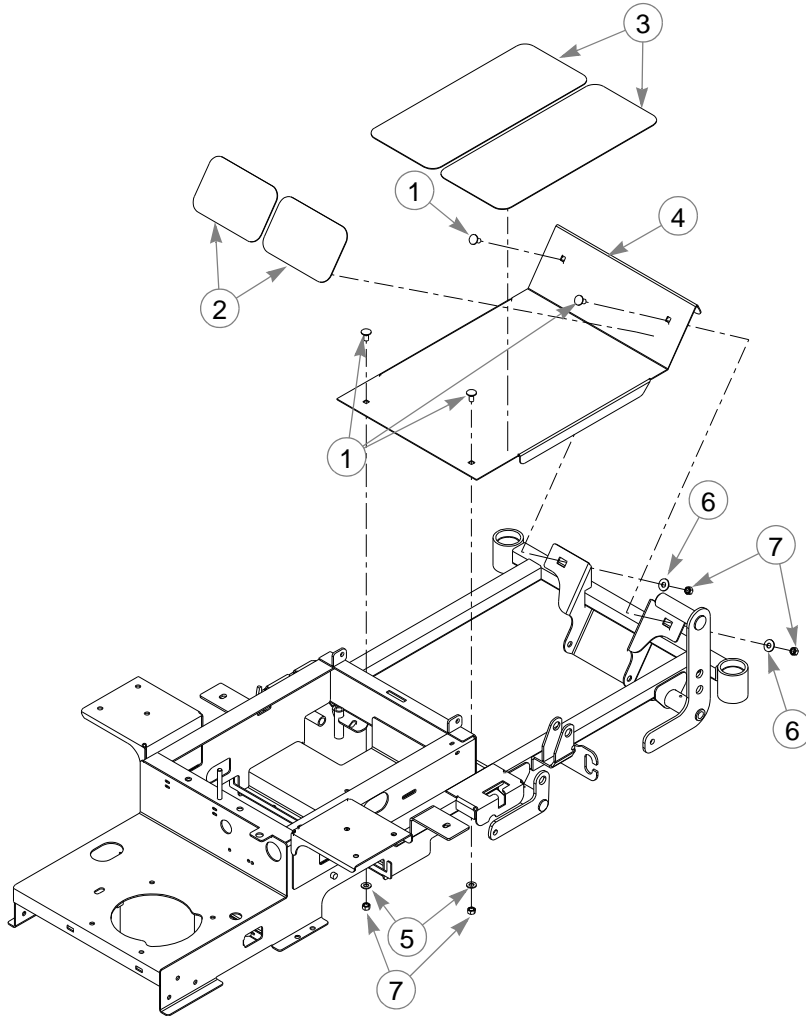


INDEX NO.	SERVICE PART NO.	MFG. PART NO.	QTY.	DESCRIPTION
1	316836	316836	1	ENGINE GUARD
2	320580	320580	2	ANTI ROLLOVER BRACKET
3	808493	808493	8	3/8-16 THREAD RIVET NUT
4	781567	781567	2	NT .50-13 HX LK NY ZNYC
5	344267	344267	4	FW .510 X 2.15 X .187SPL ZNYC
6	053199	N/A	2	NT .500-13 HX JAM ZNYC
7	767962	N/A	4	FW .531 X 1.063 X .090 SAE HD ZN
8	031997	N/A	2	ANTI-SCALP WHEEL
9	781708	N/A	2	CS .500-13 X 4.25 HX G5 ZNYC
1 10	788166	788166	2	ANTI SCALP WHEEL ASSEMBLY

NOTES:

1. Includes items 6 through 9.

Footrest Assembly



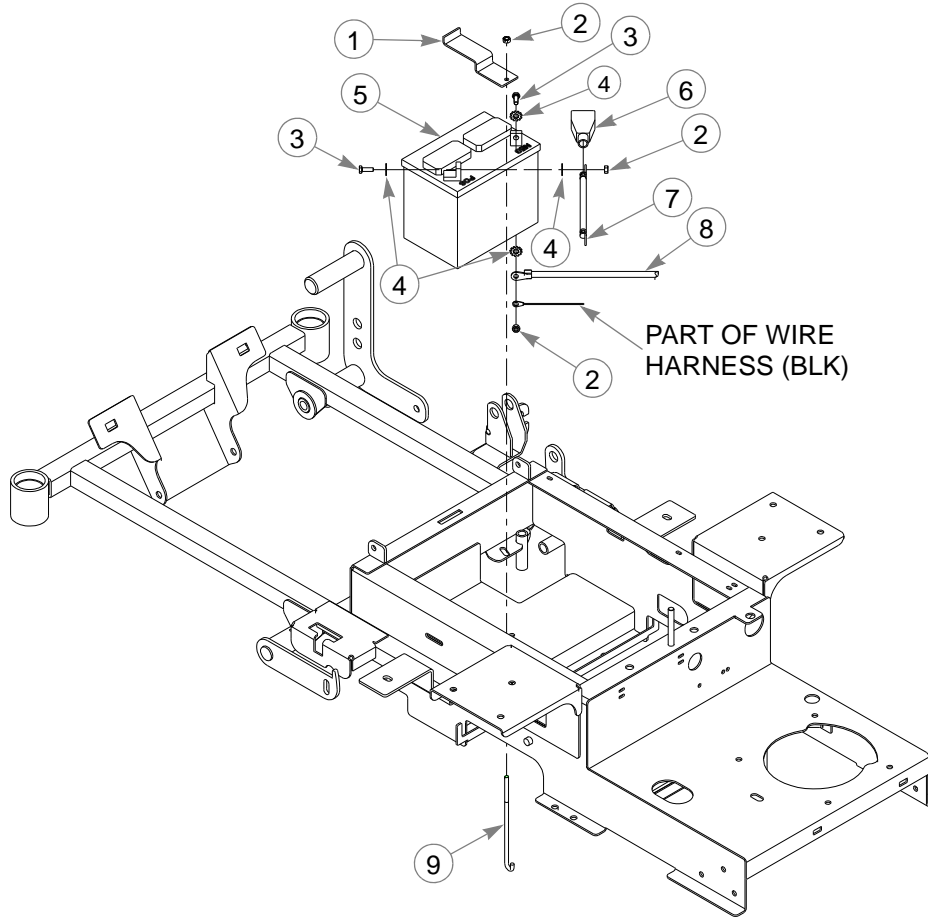
INDEX NO.	SERVICE PART NO.	MFG. PART NO.	QTY.	DESCRIPTION
1	011320	011320	4	CB .375-16 X .75 STD ZN
2	785485	785485	2	UPPER STEP TREAD
3	793844	793844	2	LOWER STEP TREAD
4	320267	320267	1	FLOOR PLATE 36" MOWERS
	316844	316844	1	FLOOR PLATE 42" MOWERS
5	767954	767954	2	FW .406 X .812 X .060 SAE HD ZN
6	076422	076422	2	FW.406X 1.000X.06 ZNYC
7	054502	054502	4	NT .375-16 HX GRD 5 ZNYC

NOTES:

Section 3

Battery Installation	3-2
Deck Lift Assembly	3-3
Hydro Transmission Installation S/N Prior To 07091558.	3-4
Hydro Transmission Installation S/N Higher Than 07091558	3-6
Steering and Brake Assembly	3-8

Battery Installation

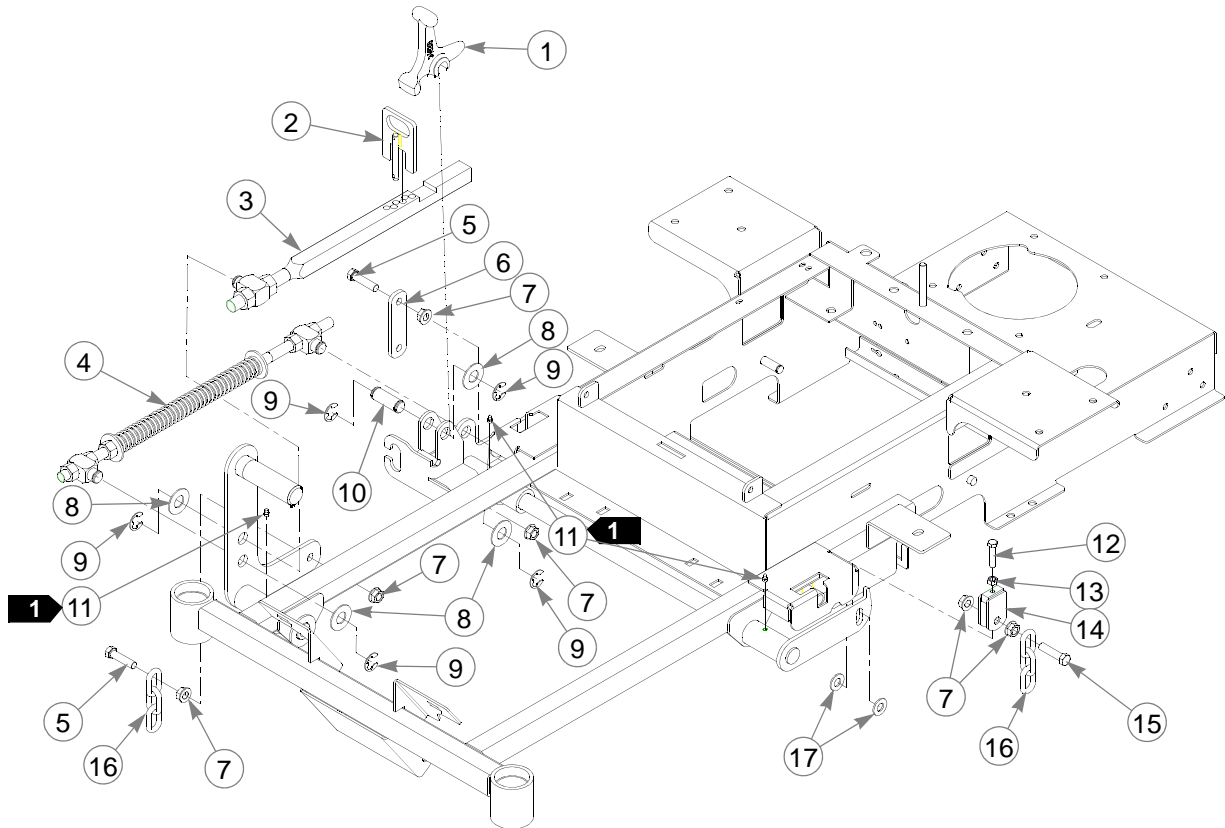


INDEX NO.	SERVICE PART NO.	MFG. PART NO.	QTY.	DESCRIPTION
1	314989	314989	1	BATTERY CLAMP STRAP
2	024927	024927	3	NT .250-20 HX GR.5 ZNYC
3	055939	055939	2	CS .250-20 X .75 HX G5 ZNYC
4	029868	029868	4	LW .250 INT-EXT TOOTH ZNYC
1	740696	740696	1	BATTERY VU1LH-8
6	771428	771428	1	RED BATTERY CABLE BOOT
7	785063	785063	1	POSITIVE BATTERY CABLE (KOHLER)
	786632	786632	1	POSITIVE BATTERY CABLE (HONDA)
8	786640	786640	1	NEGATIVE BATTERY CABLE
9	793489	793489	1	BATTERY CLAMP ROD

NOTES:

1. Battery is not installed in CE and non-CE export models.

Deck Lift Assembly

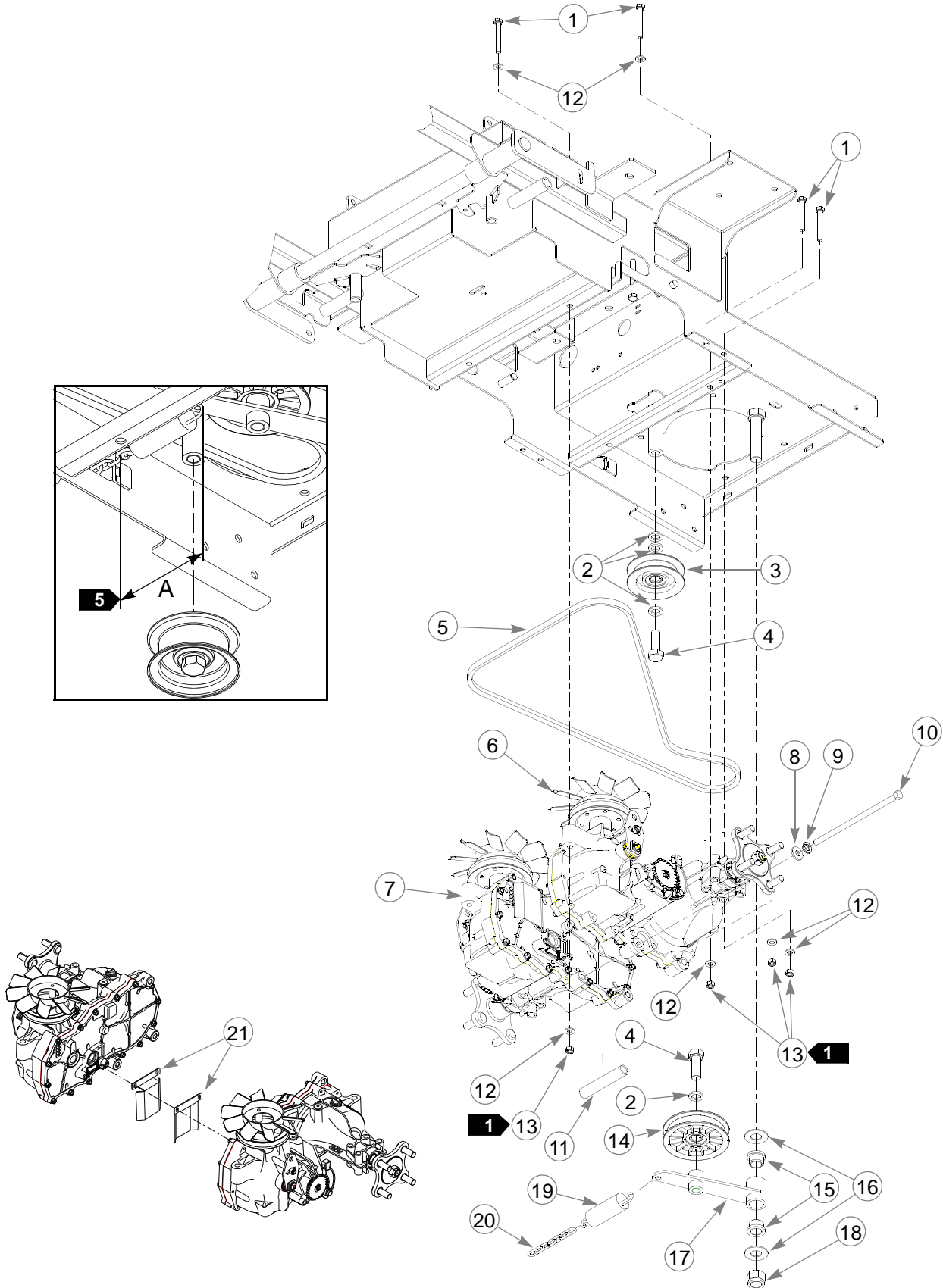


INDEX NO.	SERVICE PART NO.	MFG. PART NO.	QTY.	DESCRIPTION
1	348318	348318	1	STOP HANDLE
2	348284	348284	1	HEIGHT ADJUSTMENT STOP
3	793505	793505	1	DECK HEIGHT INDICATOR
4	782995	782995	1	DECK LIFT SPRING
5	055749	055749	2	CS .437-14 X 1.75 HX G5 ZNYC
6	334045	334045	1	DECK LIFT LINK
7	704643	704643	6	NT .437-14 HX FLG ZN
8	025296	025296	4	FW .760 X 1.625 X .08 ZNYC
9	781294	781294	5	E CLIP 1.00 X.625X .050
10	781229	781229	1	CE .750 X 2.25 X 1.75 HEADLESS
11	015495	015495	3	STRAIGHT GREASE FITTING
12	756270	756270	1	CS .312-18 X 1.50 FLTHR GR5 ZNYC
13	034272	034272	1	NT .312-18 HX G5 ZNYC
14	348458	348458	1	DECK LEVELER YOKE
15	781831	781831	1	CS .437-14 X 1.75 FULTH G5 ZNYC
16	360131	018846	2	DECK LIFTCHAIN
17	767962	767962	2	FW .531 X 1.063 X .090 SAE HD ZN

NOTES:

1. Apply grease to zerks (see owners manual).

Hydro Transmission Installation S/N Prior To 07091558



Hydro Transmission Installation S/N Prior To 07091558

INDEX NO.	SERVICE PART NO.	MFG. PART NO.	QTY.	DESCRIPTION	
1	710087	710087	8	CS .312-18 X 2.50 HX G5 ZNYC	
2	028118	028118	2	FW .62 X 1.00 X .134 ZNYC	
3	794404	794404	1	PULLEY	
4	025007	025007	2	CS .625-11 X 1.75 HX G5 ZNYC	
5	793836	793836	1	A-SECTION PUMP BELT	
6	792911	792911	1	EZT LEFT PUMP/MOTOR COMBO	
7	792895	792895	1	EZT RIGHT PUMP/MOTOR COMBO	
8	718288	718288	1	FW .516 X .875 X .09 ZNYC	
9	035238	035238	1	LW .437 MED SPRING ZYNC	
10	794552	794552	1	NT .375-16 HXZY NL	
11	335695	335695	1	SPACER TUBE-EZT MINI FST	
12	768523	768523	12	FW .343 X .687 X .051/.080 HD ZNYC	
13	034272	034272	8	NT .312-18 HX G5 ZNYC	
14	784827	784827	1	4.00"OD, 5/8"ID IDLER PULLEY	
15	781153	781153	2	UHMW BUSHING	
16	025296	025296	2	FW .760 X 1.625 X .08 ZNYC	
17	324046	324046	1	PUMP BELT IDLER ARM	
3	18	061101	061101	1	NT .750-10 HX NL ZN
19	036384	036384	1	IDLER SPRING	
20	364315	059931	1	SPRING CHAIN	
2	21	335893	335893	2	BELT DEFLECTOR

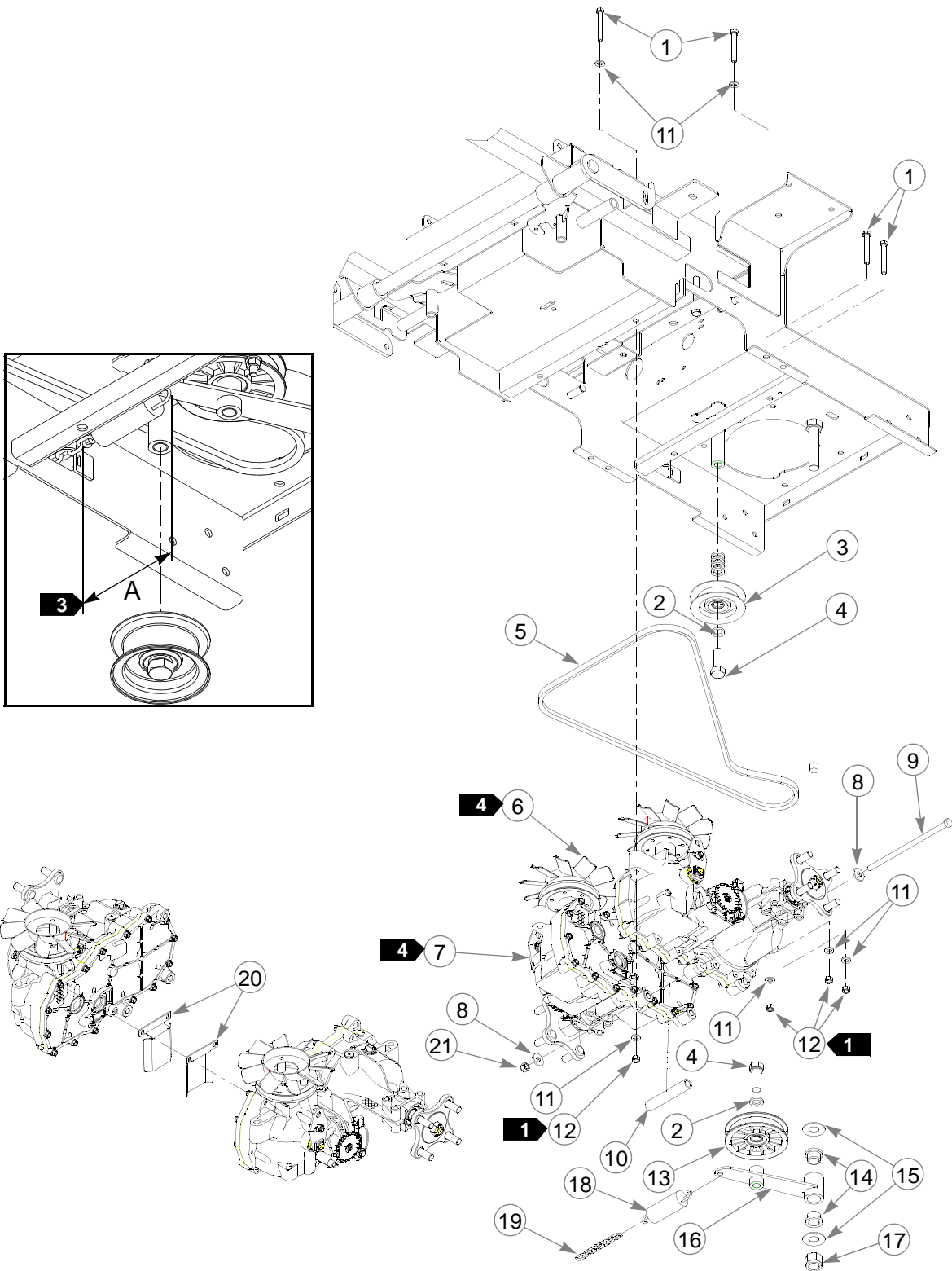
NOTES:

1. Torque to 23 N-m.
2. Install using existing hardware on EZT.
3. Do not torque, item 17 (Pump Belt Idler Arm) must pivot freely.
4. Hydro transmission service parts:

PART NUMBER PRIOR TO SERIAL NUMBER 06081543	DESCRIPTION	PART NUMBER HIGHER THAN SERIAL NUMBER 06081543	DESCRIPTION
792013	AXLE NUT	788877	AXLE NUT
600973	FAN/PULLEY KIT	600973	FAN/PULLEY KIT
795005	RIGHT EZ CAP-VENT ASSY	795039	LEFT EZ VENT TUBE ASSY
795013	EZT NUT, SPECIAL	791723	FW .530 X 1.63 X .06 SLO
795021	HUB ASSEMBLY	788232	HUB ASSEMBLY
795047	PARKING PAWL KIT, EZT	798363	PARKING BRAKE GEAR
795054	90 DEG VENT FITTING	795062	VENT HOSE, RIGHT EZT
798371	RETAINING RING	792929	PULLEY/FAN COMBO 36/42

5. Spring length after tensioning should be 4.5"-5.5" (dimension A), measured from outside of hook to outside of hook.

Hydro Transmission Installation S/N Higher Than 07091558



Hydro Transmission Installation S/N Higher Than 07091558

INDEX NO.	SERVICE PART NO.	MFG. PART NO.	QTY.	DESCRIPTION
1	710087	710087	8	CS .312-18 X 2.50 HX G5 ZNYC
2	028118	028118	2	FW .62 X 1.00 X .134 ZNYC
3	601162	601162	1	PULLEY
4	025007	025007	2	CS .625-11 X 1.75 HX G5 ZNYC
5	793836	793836	1	A-SECTION PUMP BELT
6	603085	603085	1	EZT LEFT PUMP/MOTOR COMBO
7	603086	603086	1	EZT RIGHT PUMP/MOTOR COMBO
8	712919	712919	2	FW .516 X .875 X .09 ZNYC
9	721134	721134	1	CS .375-16X8.0 HX.GR5 Z
10	335695	335695	1	SPACER TUBE-EZT MINI FST
11	768523	768523	12	FW .343 X .687 X .051/.080 HD ZNYC
12	034272	034272	8	NT .312-18 HX G5 ZNYC
13	784827	784827	1	4.00"OD, 5/8"ID IDLER PULLEY
14	781153	781153	2	UHMW BUSHING
15	025296	025296	2	FW .760 X 1.625 X .08 ZNYC
16	324046	324046	1	PUMP BELT IDLER ARM
17	061101	061101	1	NT .750-10 HX NL ZN
18	036384	036384	1	IDLER SPRING
19	364315	059931	1	SPRING CHAIN
20	335893	335893	2	BELT DEFLECTOR
21	086660	086660	1	NT .375-16 HXZY NL

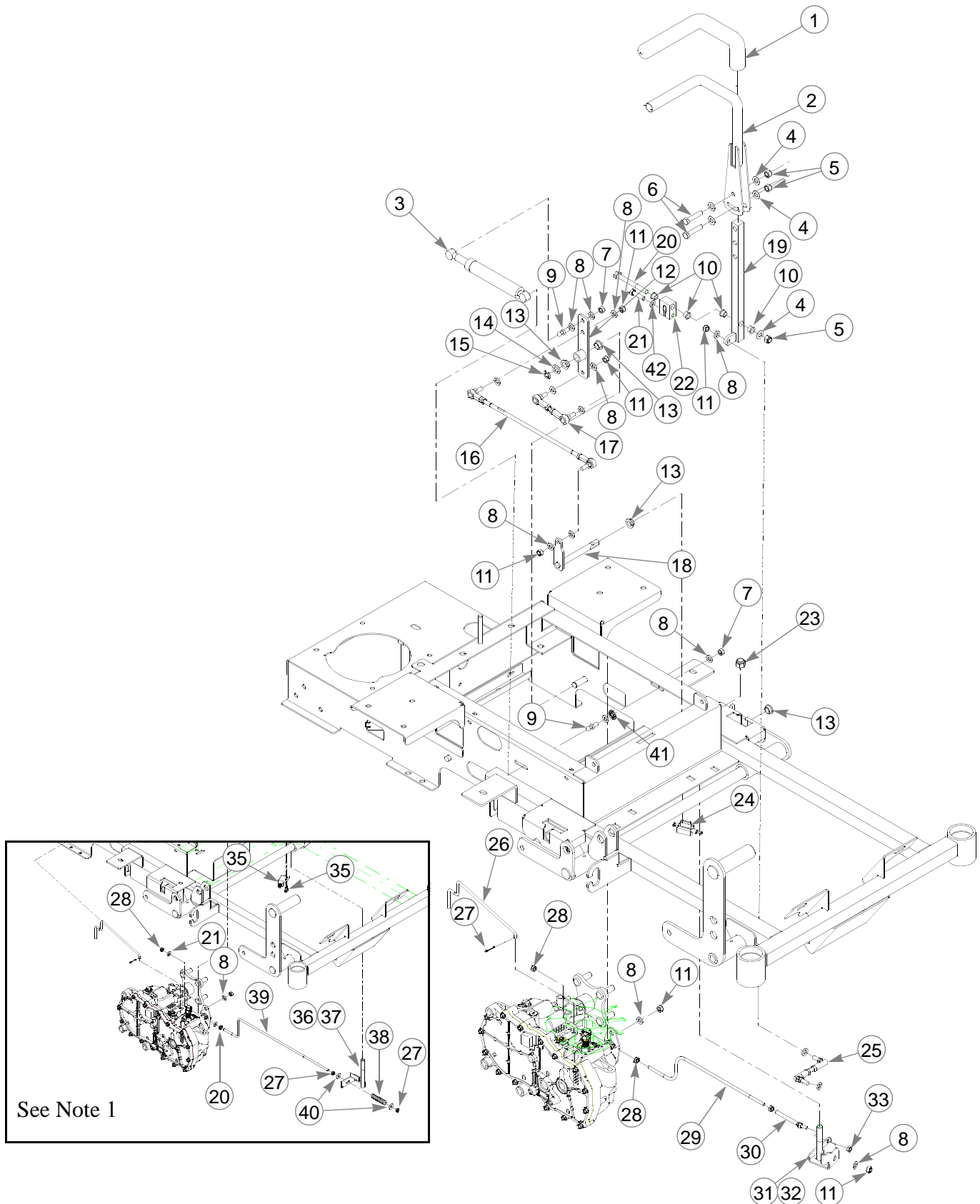
NOTES:

1. Torque to 23 N-m.
2. Hydro transmission service parts:

PART NUMBER PRIOR TO SERIAL NUMBER 06081543	DESCRIPTION	PART NUMBER HIGHER THAN SERIAL NUMBER 06081543	DESCRIPTION
792013	AXLE NUT	788877	AXLE NUT
600973	FAN/PULLEY KIT	600973	FAN/PULLEY KIT
795005	RIGHT EZ CAP-VENT ASSY	795039	LEFT EZ VENT TUBE ASSY
795013	EZT NUT, SPECIAL	791723	FW .530 X 1.63 X .06 SLO
795021	HUB ASSEMBLY	788232	HUB ASSEMBLY
795047	PARKING PAWL KIT, EZT	798363	PARKING BRAKE GEAR
795054	90 DEG VENT FITTING	795062	VENT HOSE, RIGHT EZT
798371	RETAINING RING	792929	PULLEY/FAN COMBO 36/42

3. Spring length after tensioning should be 4.5"-5.5" (dimension A), measured from outside of hook to outside of hook.
4. Hub service part 788232 comes in packages of two.

Steering and Brake Assembly



See Note 1

Steering and Brake Assembly

INDEX NO.	SERVICE PART NO.	MFG. PART NO.	QTY.	DESCRIPTION
	781260	N/A	2	STEERING BAR GRIP
2	360487	360487	2	STEERING BAR
	600221	600221	2	CENTERING DAMPER
3	783696	783696	2	CENTERING DAMPER
	767954	767954	10	FW .406 X .812 X .060 SAE HD ZN
	086660	086660	6	NT .375-16 HX LK NY
	705178	705178	4	CS .375-16 X 1.75 HX G5 ZNYC
	034272	034272	4	NT .312-18 HX G5 ZNYC
	768523	768523	22	FW .343 X .687 X .051/.080 HD ZNYC
	781922	781922	4	DAMPER BALL STUD
	797779	797779	8	IGUS® BUSHING
	023655	023655	12	NT .312-24 HX ZNYC
	325464	325464	2	STEERING CONTROL ARM
	768259	768259	8	IGUS® BUSHING
	718288	718288	2	FW .516 X .875 X .09 ZNYC
	793059	793059	2	E CLIP .80X.396X.042
	793646	793646	2	PUMP ROD ADJUSTER ASSEMBLY
	794396	794396	2	STEERING LINK ROD
	793612	793612	2	STEERING DRIVE ARM
	797753	797753	2	STEERING ARM
	005108	005108	2	CS .375-16 X 3.50 HX G5
	079186	079186	2	CS .312-18 X 1.25 HX G5 ZNYC
	797761	797761	2	STEERING BLOCK
	781567	781567	2	NT .50-13 HX LK NY ZNYC
	795625	795625	2	SNAP MOUNT PLUNGER SWITCH
	796615	796615	2	BALL JOINT LINK
	793174	793174	2	TOWLINK ROD
	048553	048553	2	CP .062D X 1.00 LG HML ZN
	068551	068551	4	NT .250-20 HX NL ZNYC
	797050	797050	2	BRAKE ACTUATOR ROD
	795229	795229	2	INLINE BALL JOINT
	352112	352112	1	L. H. BRAKE PIVOT (SHOWN)
	352054	352054	1	R. H. BRAKE PIVOT (NOT SHOWN)
	024927	024927	2	NT .250-20 HX GR.5 ZNYC
1	781211	781211	2	PUSH BUTTON SWITCH, (DELTA)
1	060731	060731	4	CS 10-24 X .500 HXFLK ZNYC
1	315382	N/A	1	LEFT BRAKE PIVOT ARM (SHOWN)
1	315101	N/A	1	RIGHT BRAKE PIVOT ARM (NOT SHOWN)
1	794883	794883	2	COMPRESSION SPRING
1	793182	793182	2	BRAKE ACTUATOR ROD
1	089789	089789	4	FW .266 X .750 X .06 ZNYC
	029876	029876	2	LW .312 INT-EXT TOOTH Z
	768515	768515	2	FW 0.281SAE

NOTES:

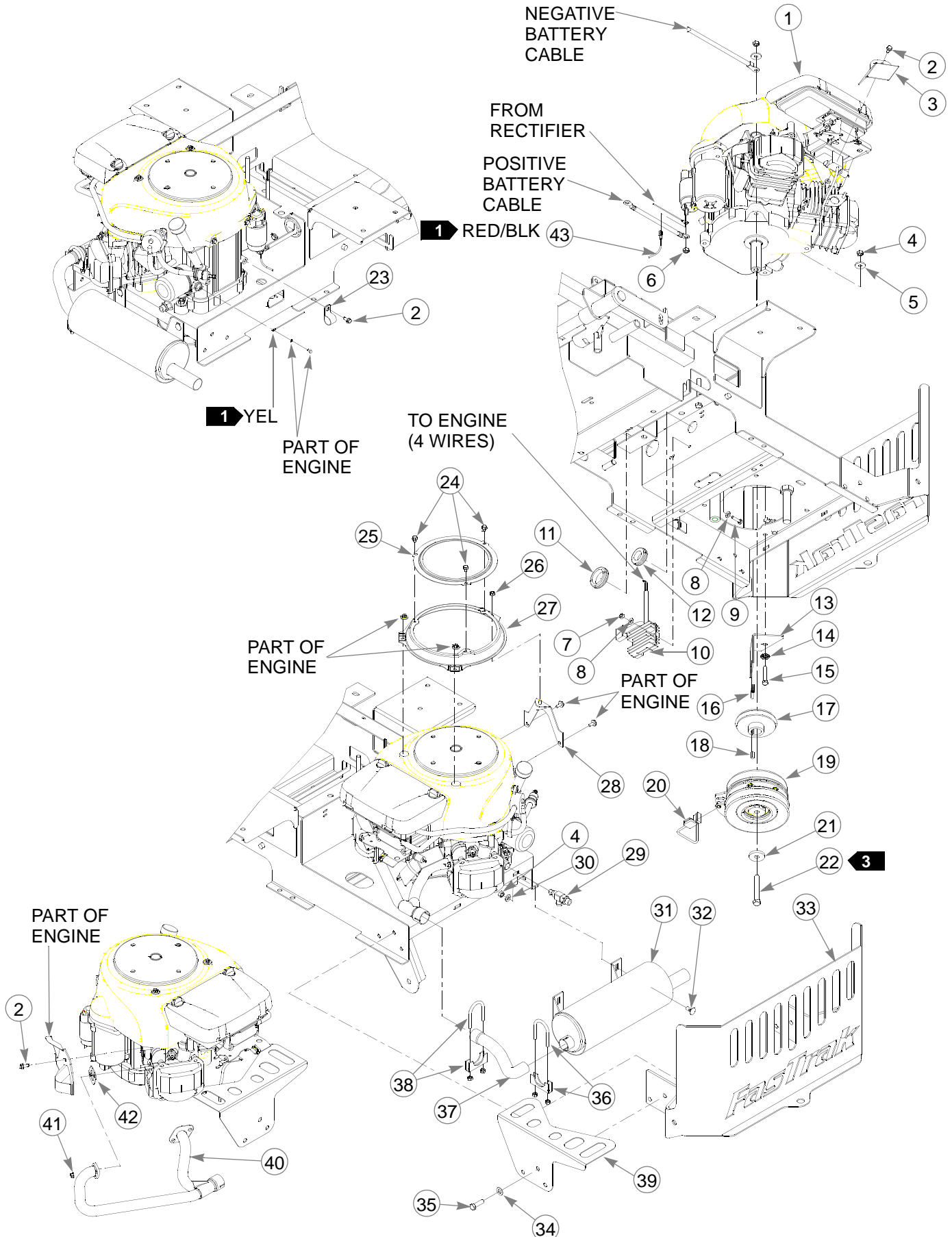
1. Order these parts for mowers with serial number prior to 05040000.
2. Includes Item 1 (781260 Steering Bar Grip).

3. Use on mowers with serial numbers prior to 060171975.

Section 4

.Honda Engine Installation—S/N Prior To 09010000	4-2
Honda Engine Installation—S/N Higher Than 09010000	4-6
Kohler Engine Installation	4-10
Fuel System Installation.	4-14
Instrument Panel Installation	4-16
Honda Electrical Schematic (601393& 793083)	4-18
Kohler Electrical Schematic (601127& 793117)	4-20

Honda Engine Installation—S/N Prior To 09010000



Honda Engine Installation—S/N Prior To 09010000

INDEX NO.	SERVICE PART NO.	MFG. PART NO.	QTY.	DESCRIPTION
1	N/A	785394	1	HONDA 16HP ENGINE (USED ON 927368 & 927376)
2	739144	792796	3	CS M 6-1.0 X 12 10.9 HX
3	378273	378273	1	16HP EXHAUST HEAT SHIELD
4	034272	034272	6	NT .312-18 HX G5 ZNYC
5	712927	712927	4	FW .344 X 1.00 X .12 HRD ZNYC
6	782664	782664	1	NT M8-1.25 HX STAINLESS STEEL
7	024927	024927	2	NT .250-20 HX GR.5 ZNYC
8	768515	768515	4	FW .281 X .625 X .051/.080 HD ZNYC
9	056077	056077	2	CS .250-20 X 1.00 HX G5 ZNYC
10	787267	N/A	1	HONDA 16 AMP RECTIFIER
11	794644	794644	1	GM 1.50 X 2.12 X 1.75 X .12
12	706531	706531	1	GM 1.12 X 1.75 X 1.37 X .12
13	330274	330274	1	CLUTCH ANCHOR
14	029876	029876	4	LW .312 INT-EXT TOOTH ZNYC
15	050161	050161	4	CS .312-18 X 1.75 HX G5 ZNYC
16	784918	784918	1	RUBBER BUMPER
17	793760	793760	1	ENGINE-HYDRO DRIVE PULLEY
18	712372	712372	1	KEY 1/4 SQ. X 0.66 LONG
19	601325	601325	1	WARNER CLUTCH
20	791251	N/A	1	CLUTCH WIRE HARNESS PIGTAIL
21	763417	763417	1	FW .454 X 1.50 X.250
22	785048	785048	1	CS .437-20 X 3.00 HX G5 ZNYC
23	043570	043570	1	SINGLE HOSE CLIP
24	798801	798801	3	FLANGE BOLT, 6 X 8
25	798777	798777	1	GXV530 COVER
26	798793	798793	1	GXV530 COVER NUT
27	798769	798769	1	GXV530 COVER ADAPTER
28	798785	798785	1	GXV530 COVER BRACKET
29	791608	791608	1	OIL DRAIN VALVE, M16 X 1.5
30	768523	768523	2	FW .343 X .687 X .051/.080 HD ZNYC
31	793125	793125	1	MUFFLER 15,17 KOHLER & 16 HONDA
32	016253	016253	2	CB .312-18 X .750 FUL ZN
33	316836	316836	1	ENGINE GUARD
34	767954	767954	6	FW .406 X .812 X .060 SAE HD ZN
35	052860	052860	6	CS .375-16 X 1.25 HX G5 ZNYC
36	794180	794180	1	1.125" EXHAUST CLAMP
37	793166	793166	1	16 HONDA MID EXHAUST PIPE
38	794172	794172	1	1.25" EXHAUST CLAMP
39	344291	344291	1	MINI FASTRAK HONDA CE HEAT SHIELD
40	793141	793141	1	16 HONDA MANIFOLD
41	005231	005231	4	NT M6-1.0-10 HX FLG ZN

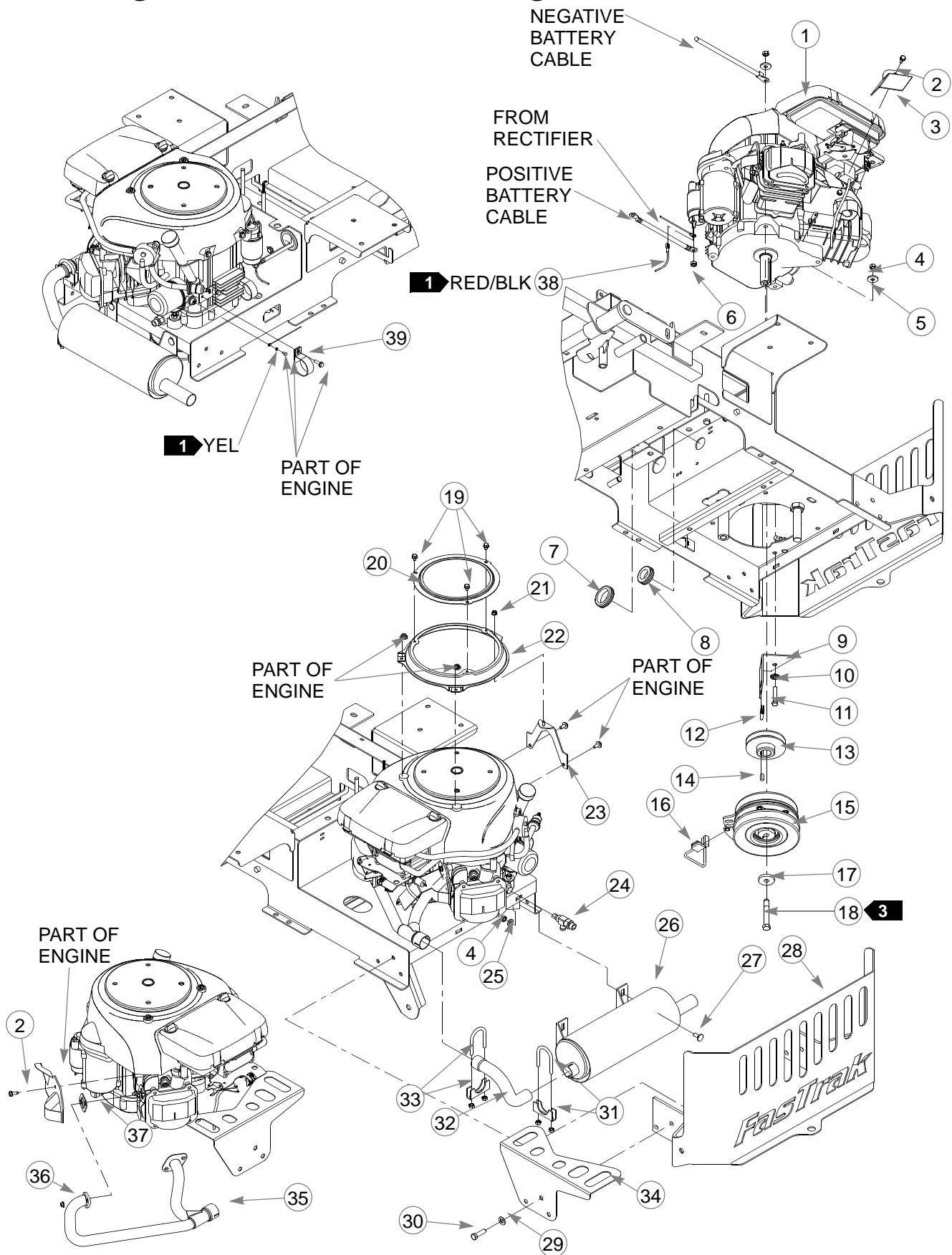
INDEX NO.	SERVICE PART NO.	MFG. PART NO.	QTY.	DESCRIPTION
42	785543	N/A	2	HONDA MUFFLER GASKET
43	793083	793083	1	HONDA WIRE HARNESS
44	104786	104786	1	OIL DRAIN HOSE (NOT SHOWN)

NOTES:

1. Part of item (793083 Honda Wire Harness).
2. Engine oil capacity: See engine owner's manual.
3. Torque to 61-65 N-m.

This page intentionally left blank.

Honda Engine Installation—S/N Higher Than 09010000



Honda Engine Installation—S/N Higher Than 09010000

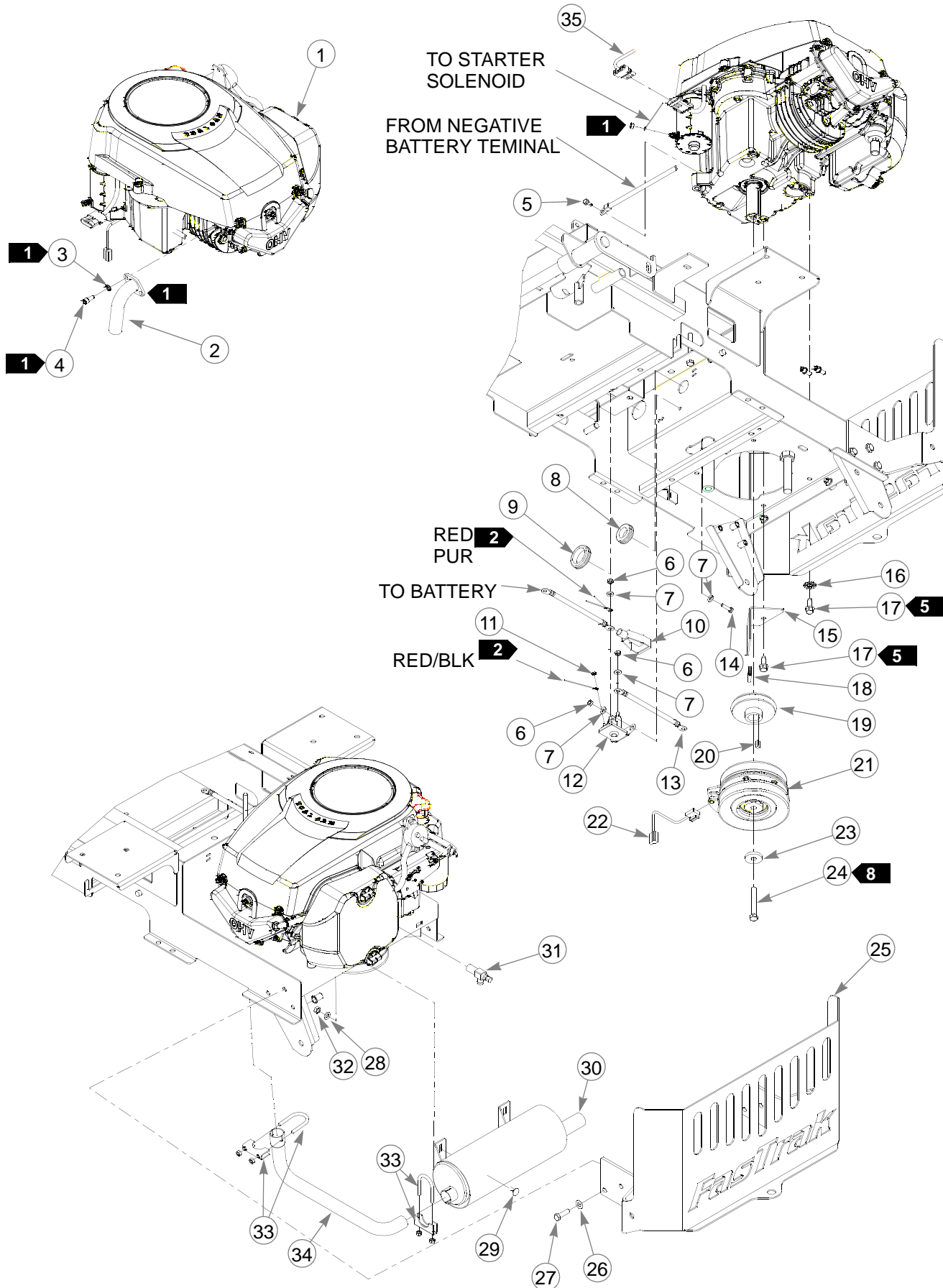
INDEX NO.	SERVICE PART NO.	MFG. PART NO.	QTY.	DESCRIPTION
1	N/A	785394	1	HONDA 16HP ENGINE (USED ON 927368 & 927376)
2	739144	792796	2	CS M 6-1.0 X 12 10.9 HX
3	378273	378273	1	16HP EXHAUST HEAT SHIELD
4	034272	034272	6	NT .312-18 HX G5 ZNYC
5	712927	712927	4	FW .344 X 1.00 X .12 HRD ZNYC
6	782664	782664	1	NT M8-1.25 HX STAINLESS STEEL
7	794644	794644	1	GM 1.50 X 2.12 X 1.75 X .12
8	706531	706531	1	GM 1.12 X 1.75 X 1.37 X .12
9	330274	330274	1	CLUTCH ANCHOR
10	029876	029876	4	LW .312 INT-EXT TOOTH ZNYC
11	050161	050161	4	CS .312-18 X 1.75 HX G5 ZNYC
12	784918	784918	1	RUBBER BUMPER
13	793760	793760	1	ENGINE-HYDRO DRIVE PULLEY
14	712372	712372	1	KEY 1/4 SQ. X 0.66 LONG
15	601325	601325	1	WARNER CLUTCH
16	791251	N/A	1	CLUTCH WIRE HARNESS PIGTAIL
17	763417	763417	1	FW .454 X 1.50 X .250
18	785048	785048	1	CS .437-20 X 3.00 HX G5 ZNYC
19	798801	798801	3	FLANGE BOLT, 6 X 8
20	798777	798777	1	GXV530 COVER
21	798793	798793	1	GXV530 COVER NUT
22	798769	798769	1	GXV530 COVER ADAPTER
23	798785	798785	1	GXV530 COVER BRACKET
24	791608	791608	1	OIL DRAIN VALVE, M16 X 1.5
25	768523	768523	2	FW .343 X .687 X .051/.080 HD ZNYC
26	793125	793125	1	MUFFLER 15,17 KOHLER & 16 HONDA
27	016253	016253	2	CB .312-18 X .750 FUL ZN
28	316836	316836	1	ENGINE GUARD
29	767954	767954	6	FW .406 X .812 X .060 SAE HD ZN
30	052860	052860	6	CS .375-16 X 1.25 HX G5 ZNYC
31	794180	794180	1	1.125" EXHAUST CLAMP
32	793166	793166	1	16 HONDA MID EXHAUST PIPE
33	794172	794172	1	1.25" EXHAUST CLAMP
34	344291	344291	1	MINI FASTRAK HONDA CE HEAT SHIELD
35	793141	793141	1	16 HONDA MANIFOLD
36	005231	005231	4	NT M6-1.0-10 HX FLG ZN
37	785543	N/A	2	HONDA MUFFLER GASKET
38	601393	601393	1	HONDA WIRE HARNESS
	104786	104786	1	OIL DRAIN HOSE (NOT SHOWN)
39	045088	045088	2	CLAMP, 1.75"DIA RBR COAT

NOTES:

1. Part of item (601393 Honda Wire Harness).
2. Engine oil capacity:See engine owner's manual.
3. Torque bolt to 61-65 N-m.Replace (do not reuse) capscrew if removed or loosened. Use only hand tools to install this fastener.

This page intentionally left blank.

Kohler Engine Installation



Kohler HP Engine Installation

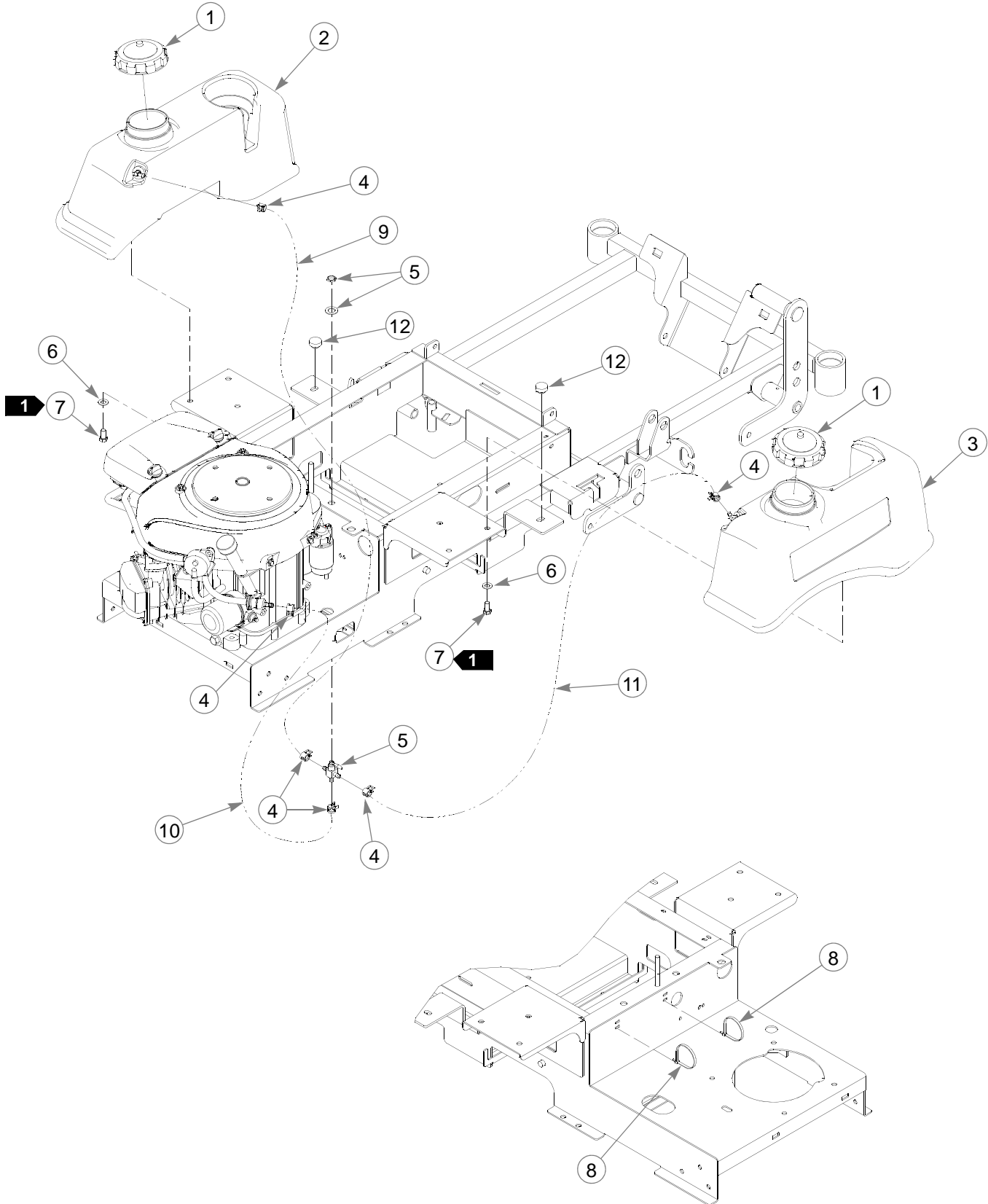
INDEX NO.	SERVICE PART NO.	MFG. PART NO.	QTY.	DESCRIPTION
1	N/A	792945	1	KOHLER 15 HP ENGINE SV470S
	N/A	792952	1	KOHLER 17 HP ENGINE SV530S
	N/A	603080	1	KOHLER 19 HP ENGINE SV590S
2	793133	793133	1	KOHLER EXHAUST MANIFOLD
3	017004	N/A	2	LW .312 MED SPRING ZNYC
4	704478	N/A	2	CS .312-18 X .75 SKTHD BO
5	739144	792796	1	CS M 6-1.0 X 12 10.9 HX
6	024927	024927	4	NT .250-20 HX GR 5 ZNYC
7	768515	768515	6	FW .281 X .625 X .051/.080 HD ZNYC
8	706531	706531	1	GM 1.12 X 1.75 X 1.37 X .12
9	794644	794644	1	GM 1.50 X 2.12 X 1.75 X .12
10	771428	771428	1	RED BATTERY CABLE BOOT
11	044255	044255	1	NT #10-32 HX ZN
12	030817	030817	1	STARTER SOLENOID
13	792762	792762	1	BATTERY CABLE
14	056077	056077	2	CS .250-20 X 1.00 HX G5 ZNYC
15	330274	330274	1	CLUTCH ANCHOR
16	793885	793885	1	LW .375 INT-EXT TOOTH
17	036244	792788	4	CS .375-16X1.000 HX G5
18	784918	784918	1	RUBBER BUMPER
19	793760	793760	1	ENGINE-HYDRO DRIVE PULLEY
20	712372	712372	1	KEY 1/4 SQ. X 0.66 LONG
21	601325	601325	1	WARNER CLUTCH
22	791251	N/A	1	CLUTCH WIRE HARNESS PIGTAIL
23	763417	763417	1	FW .454 X 1.50 X.250
24	785048	785048	1	CS .437-20 X 3.00 HX G5 ZNYC
25	316836	N/A	1	ENGINE GUARD
26	767954	767954	6	FW .406 X .812 X .060 SAE HD ZN
27	052860	052860	6	CS .375-16 X 1.25 HX G5 ZNYC
28	768523	768523	2	FW .343 X .687 X .051/.080 HD ZNYC
29	016253	016253	2	CB .312-18 X .750 FUL ZN
30	793125	793125	1	MUFFLER 15,17 KOHLER & 16 HONDA
31	796516	796516	1	3/8-18 OIL DRAIN VALVE
32	034272	034272	2	NT .312-18 HX G5 ZNYC
33	794180	794180	2	1.125" EXHAUST CLAMP
34	793158	793158	1	KOHLER 15 & 17 HP MID EXHAUST PIPE
6	601127	601127	1	KOHLER WIRE HARNESS
7	793117	793117	1	KOHLER WIRE HARNESS
36	104786	104786	1	OIL DRAIN HOSE (NOT SHOWN)

NOTES:

1. Supplied with engine.
2. Part of Kohler Wire Harness item 35 (601127-For S/N higher than 07011902; 793117-For S/N prior to 07011902).
3. Engine oil capacity: See engine owner's manual.
4. Engine speed; 2450±50 RPM.
5. Torque to 40.7-47.5 N-m. Do not reuse factory installed screw when performing service to mower requiring removal of engine, replace with 3/8-16 X 1.0 long grade 5 cap screw.
6. Used on mowers with serial numbers after 7020776.
7. Used on mowers with serial numbers prior to 7020776.
8. Torque bolt to 61-65 N-m.

This page intentionally left blank.

Fuel System Installation



Fuel System Installation

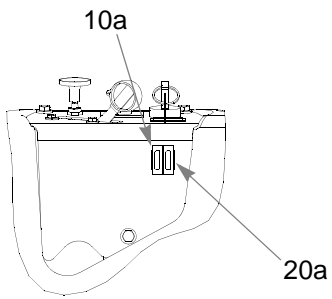
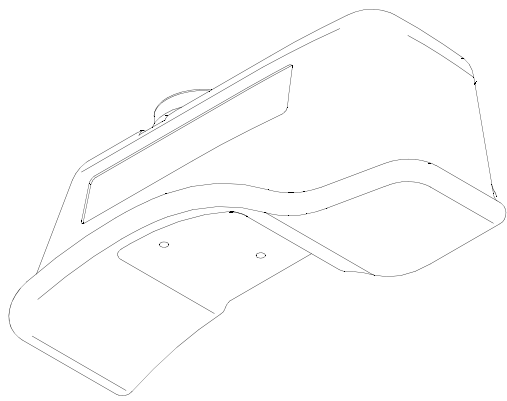
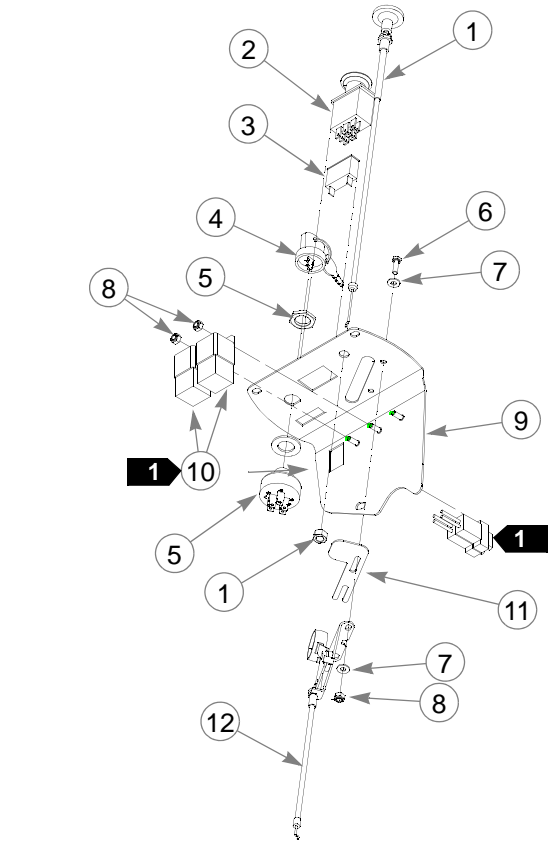
INDEX NO.	SERVICE PART NO.	MFG. PART NO.	QTY.	DESCRIPTION
1	779306	779306	2	3.5" FUEL CAP
2	792978	792978	1	36/42 LEFT SIDE FUEL TANK
3	792960	792960	1	36/42 RIGHT SIDE FUEL TANK
4	000323	000323	6	CLIP
5	745059	745059	1	3-WAY FUEL VALVE
6	767954	767954	10	FW .406 X .812 X .060 SAE HD ZN
7	055822	055822	8	CS .375-16 X .75 HX G5 ZNYC
8	000331	000331	2	SMALL, SHORT WIRE TIE
9	015818	015818	1	FUEL LINE, 21.00" LONG
5	10 015818	015818	1	FUEL LINE, 18.00" LONG (HONDA)
6	015818	015818	1	FUEL LINE, 16.25" LONG (HONDA)
3	015818	015818	1	FUEL LINE, 12.00" LONG (KOHLER)
4	015818	015818	1	FUEL LINE, 14.00" LONG (KOHLER)
11	015818	015818	1	FUEL LINE, 8.5" LONG
12	781880	781880	2	BUMPER, .500X 1.00X .312 X.188

NOTES:

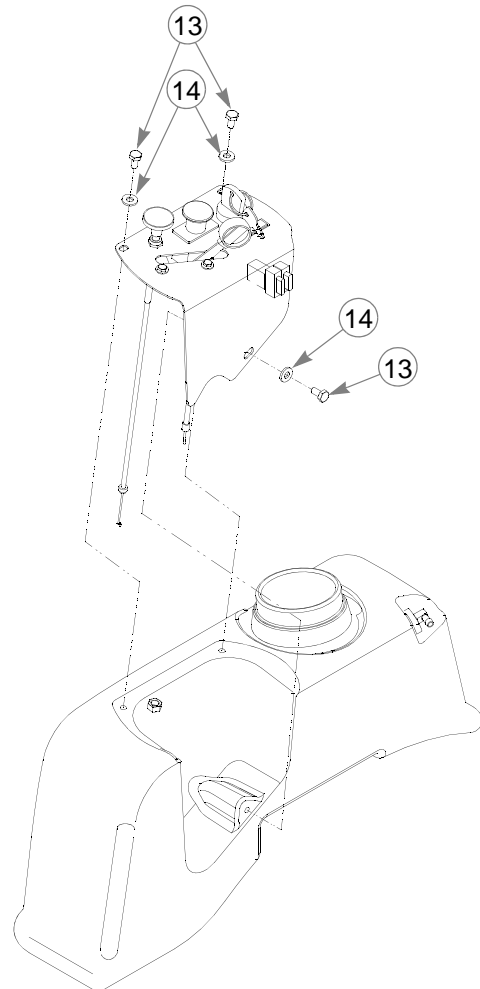
1. Torque to 27.1 N-m.
2. Service parts (not shown) for fuel system:

799221	SUCTION HOSE ASSY
794081	FUEL FILTER SCREEN
785295	FUEL GROMMET
792986	SITE-LINE TANKS FUEL FITTING
3. Used on mowers with serial numbers higher than 07110561.
4. Used on mowers with serial numbers prior to 07110561.
5. Used on mowers with serial numbers higher than 09010000.
6. Used on mowers with serial numbers prior to 09010000.

Instrument Panel Installation



FUSE SIZE
AND LOCATION



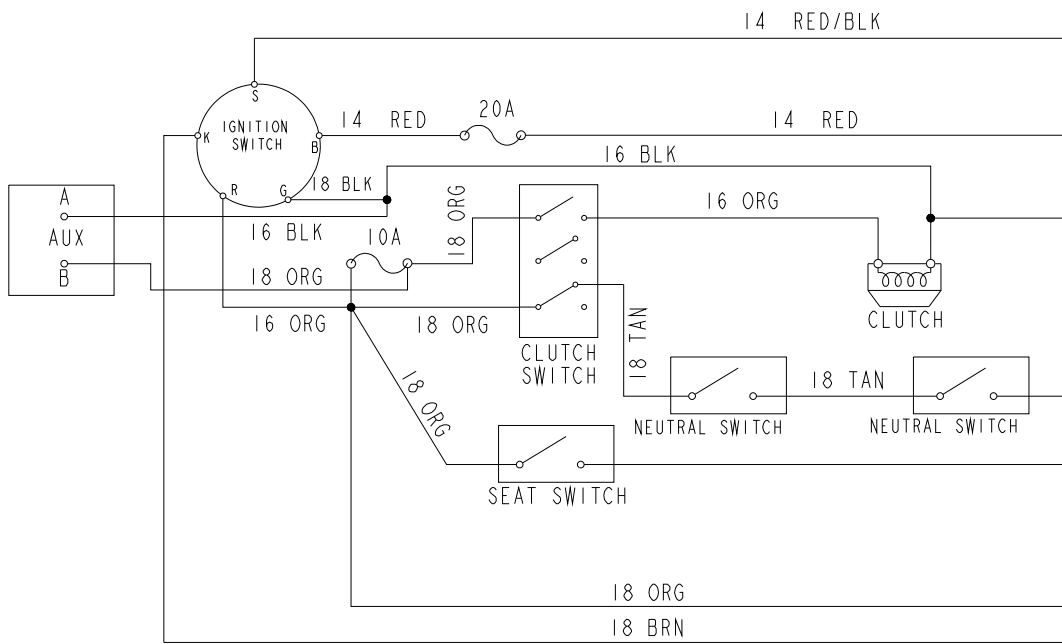
Instrument Panel Installation

INDEX NO.	SERVICE PART NO.	MFG. PART NO.	QTY.	DESCRIPTION
1	786657	786657	1	CHOKE CABLE (KOHLER)
	785030	785030	1	CHOKE CABLE (HONDA)
2	776476	776476	1	PTO SWITCH
3	712257	712257	1	RED INDICATOR LIGHT
2 4	785808	785808	1	KEY SET
5	045898	045898	1	KEY SWITCH
6	714998	714998	2	MS #10-24 X .625 HX ZN
7	704932	704932	4	FW .219 X .500 X .048 ZNYC
8	059832	059832	4	NT #10-24 HX NL ZN
9	321059	321059	1	INSTRUMENT PANEL
10	026237	N/A	2	RELAY
11	102707	102707	1	CE THROTTLE STOP
12	793810	793810	1	THROTTLE CABLE (HONDA)
	778365	778365	1	THROTTLE CABLE (KOHLER)
13	055947	055947	3	CS .250-20X .500 HX G5 ZNYC
14	768515	768515	3	FW .281 X .625 X .051/.080 HD ZNYC

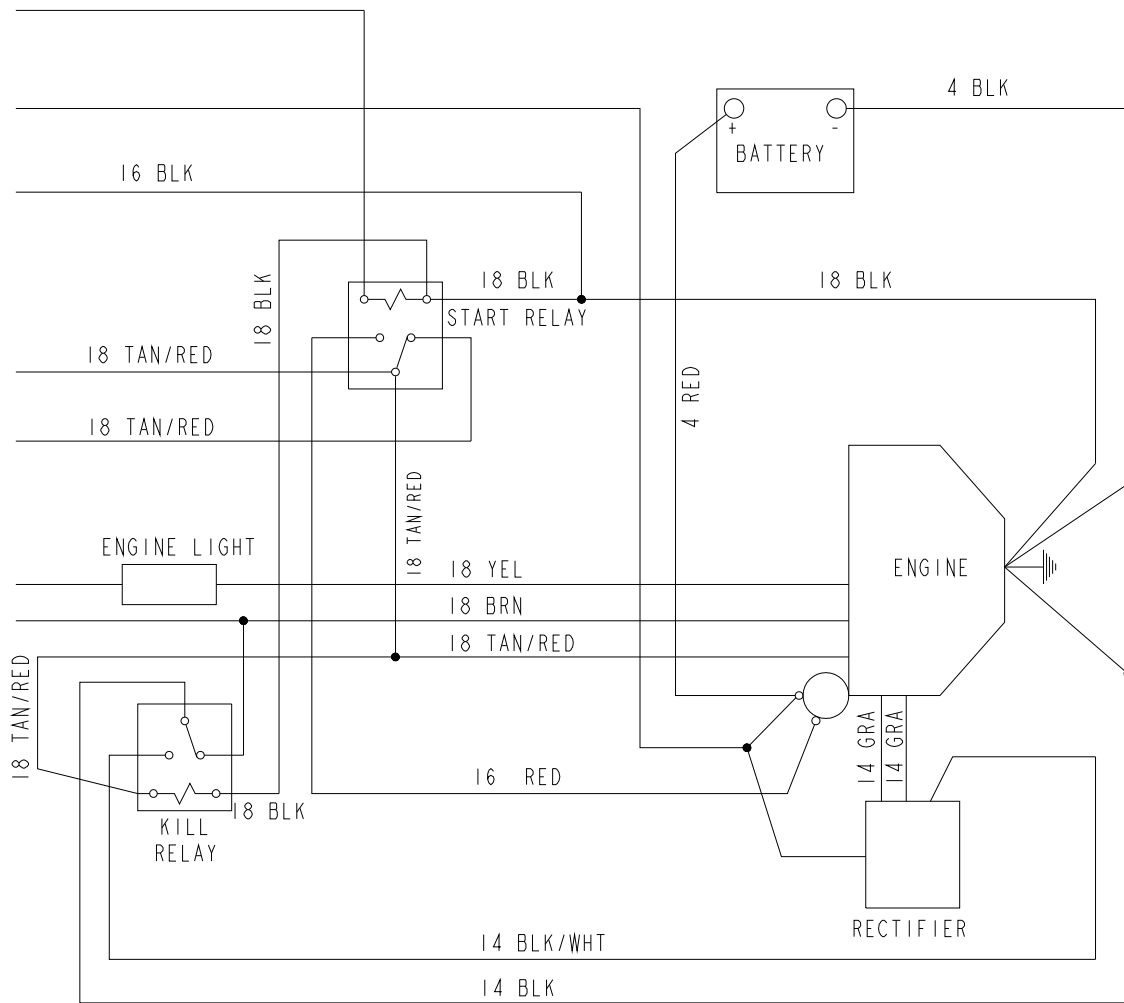
NOTES

1. Part of 601127, 601393 or 793083 (Mower Wire Harness).
2. Includes one (1) key and one (1) 083022 metal key.

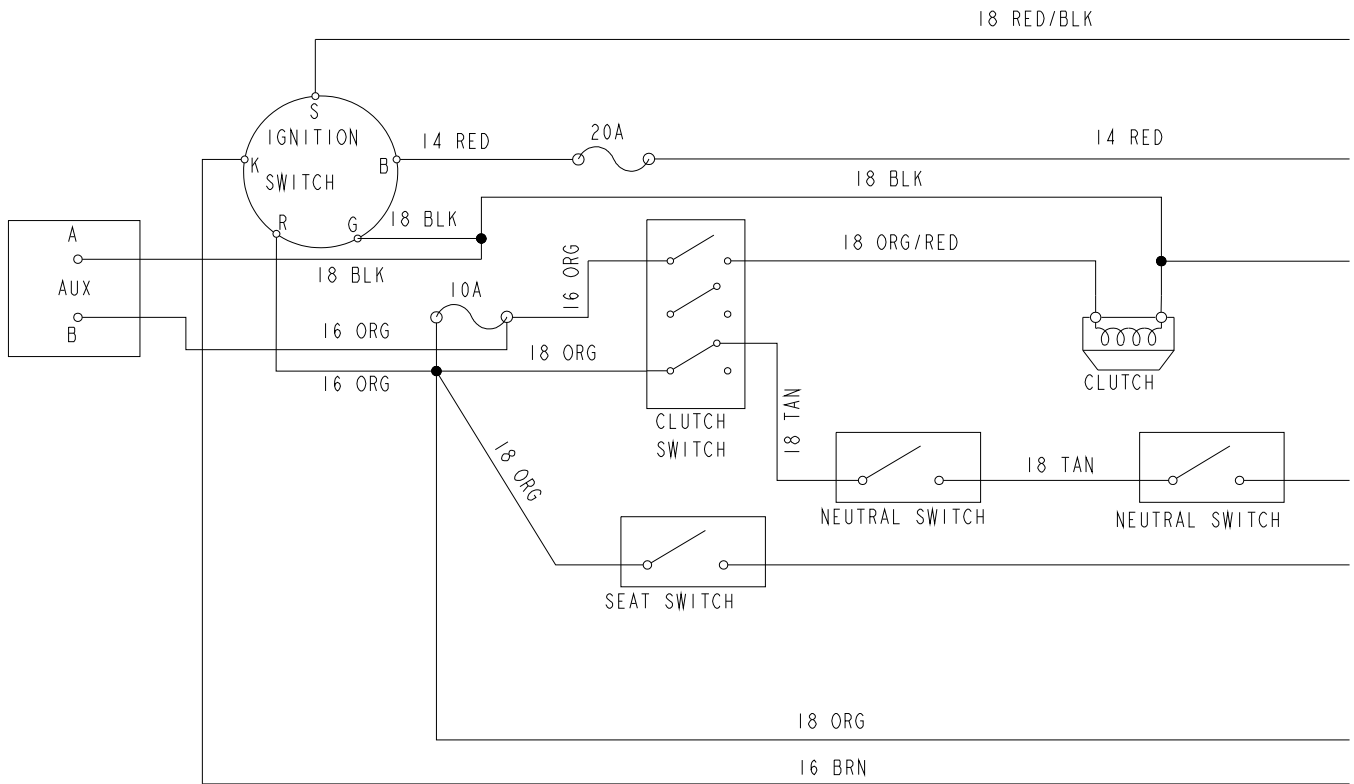
Honda Electrical Schematic (601393& 793083)



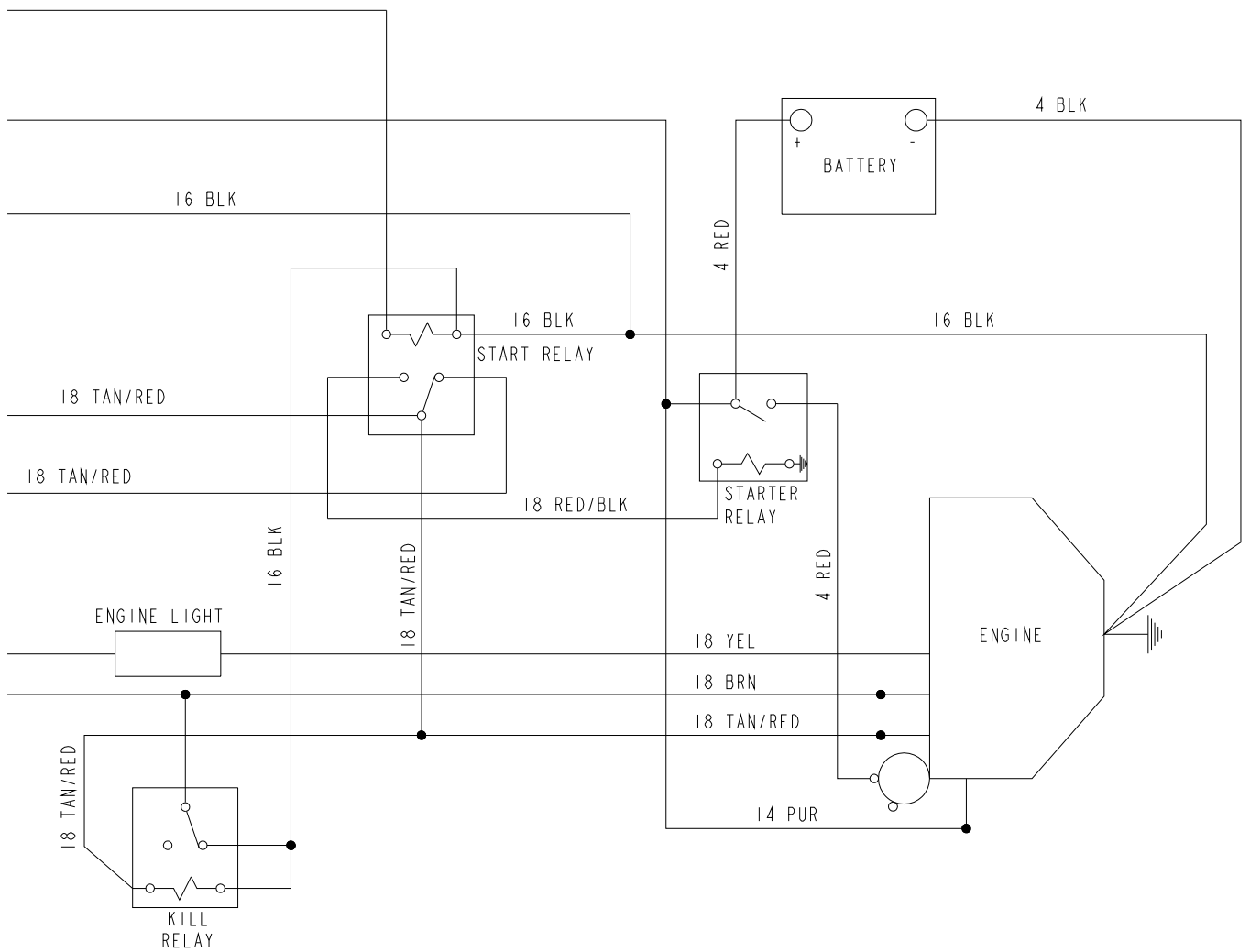
Honda Electrical Schematic (601393& 793083)



Kohler Electrical Schematic (601127& 793117)



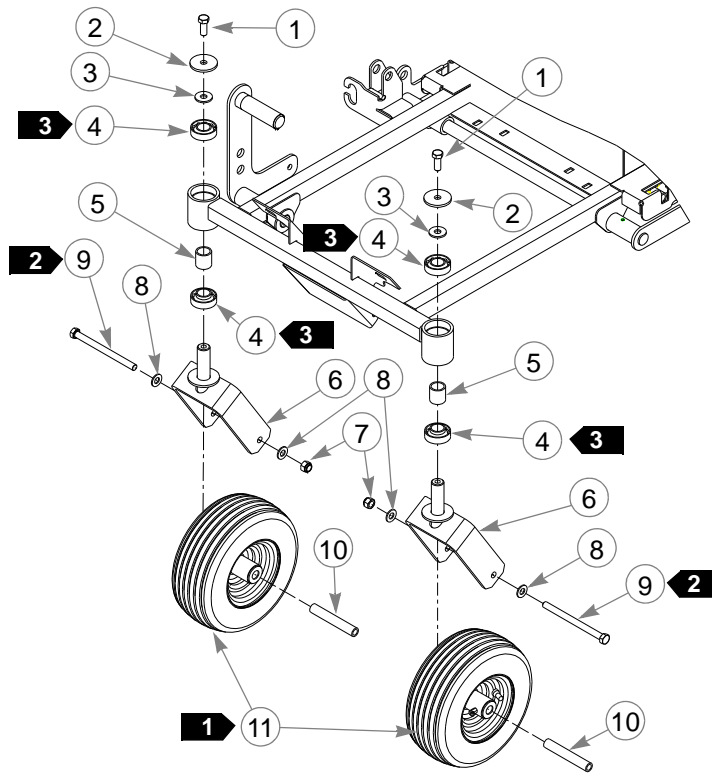
Kohler Electrical Schematic (601127&793117)



Section 5

Front Wheel Assembly.	5-2
Front Wheel Breakdown -768044	5-3
Drive Wheel Assembly.	5-4

Front Wheel Assembly

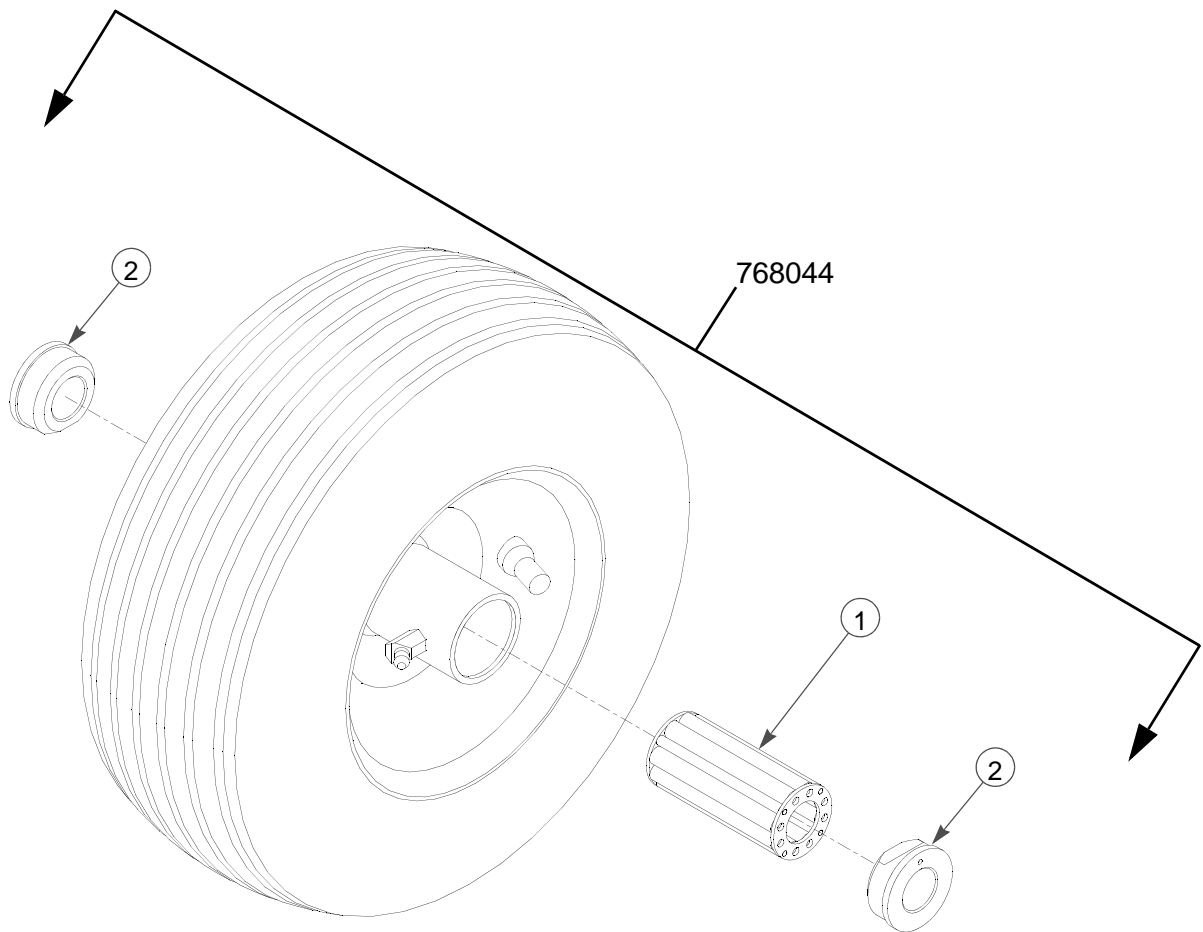


INDEX NO.	SERVICE PART NO.	MFG. PART NO.	QTY.	DESCRIPTION
1	705954	705954	2	CS .500-13 X 1.25 HX G5 ZNYC
2	344267	344267	2	FW .510 X 2.15 X .187 SPL ZNYC
3	712976	712976	2	FW .531 X 1.375 X .125 ZNYC
4	784223	784223	4	BEARING
5	784603	784603	2	SPACER
6	339689	339689	2	CASTER FORK
7	781567	781567	2	NT .50-13 HX LK NY ZNYC
8	767962	767962	4	FW .531 X 1.063 X .090 SAE HD ZN
9	042630	042630	2	CS .500-13 X 6.50 HX G5 ZNYC
10	306969	306969	2	GAGE WHEEL SPACER
11	768044	768044	2	TIRE/WHL 11X4-5 RIBBED

NOTES:

1. Apply grease to zerks, see owners manual.
2. Torque to 101.7 N-m.
3. Assemble with extended inner race down.

Front Wheel Breakdown -768044

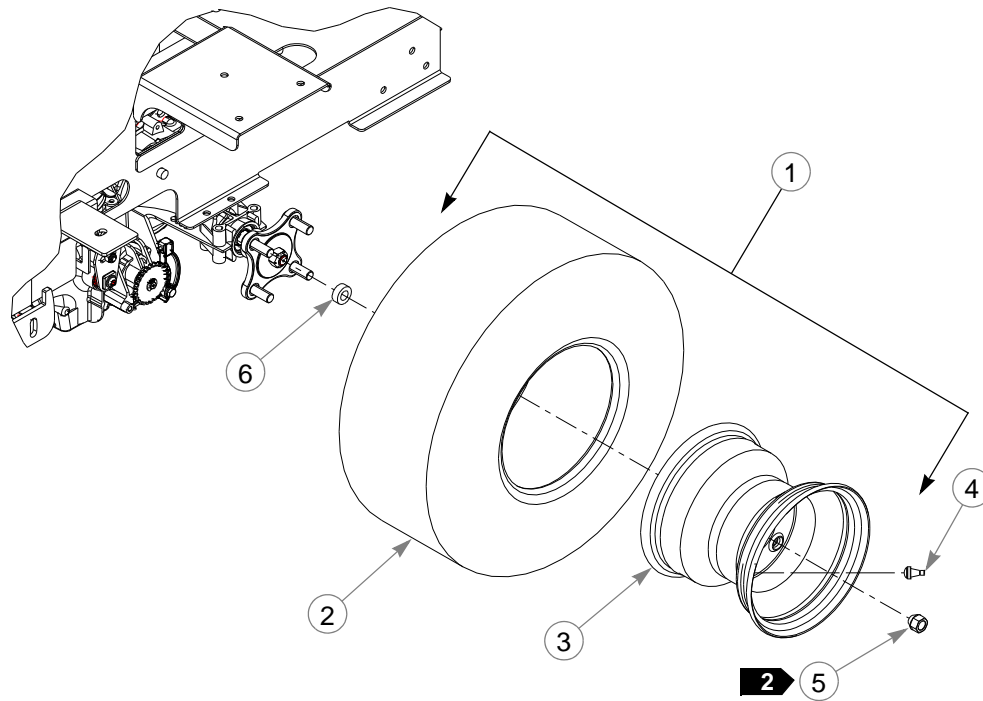


INDEX NO.	SERVICE PART NO.	MFG. PART NO.	QTY	DESCRIPTION
1	772814	N/A	1	3/4" ROLLER BEARING
2	772806	N/A	2	BEARING CAP

NOTES:

1. Inflate tire to 55.2-82.7 kPa.

Drive Wheel Assembly



INDEX NO.	SERVICE PART NO.	MFG. PART NO.	QTY	DESCRIPTION
1	783134	783134	2	WHEEL/TIRE ASSEMBLY 18 X 8.50 (PER 36" MOWER)
2	783142	N/A	1	TIRE 18 X 8.5-8
3	783159	N/A	1	WHEEL ASSY 8.00 X 7.00
4	019521	N/A	1	TIRE VALVE
5	061077	061077	8	WHEEL NUT (PER MOWER)
3	793406	793406	8	SPACER, .375TH X .53 ID X 1.0 OD ZN (PER MOWER)
1	784264	784264	2	WHEEL/TIRE ASSY 18 X 9.50 (PER 42" MOWER)
2	784272	N/A	1	TIRE 18 X 9.5-8
3	784280	N/A	1	WHEEL ASSY 8.00 X 6.32
4	019521	N/A	1	TIRE VALVE
5	061077	061077	8	WHEEL NUT (PER MOWER)

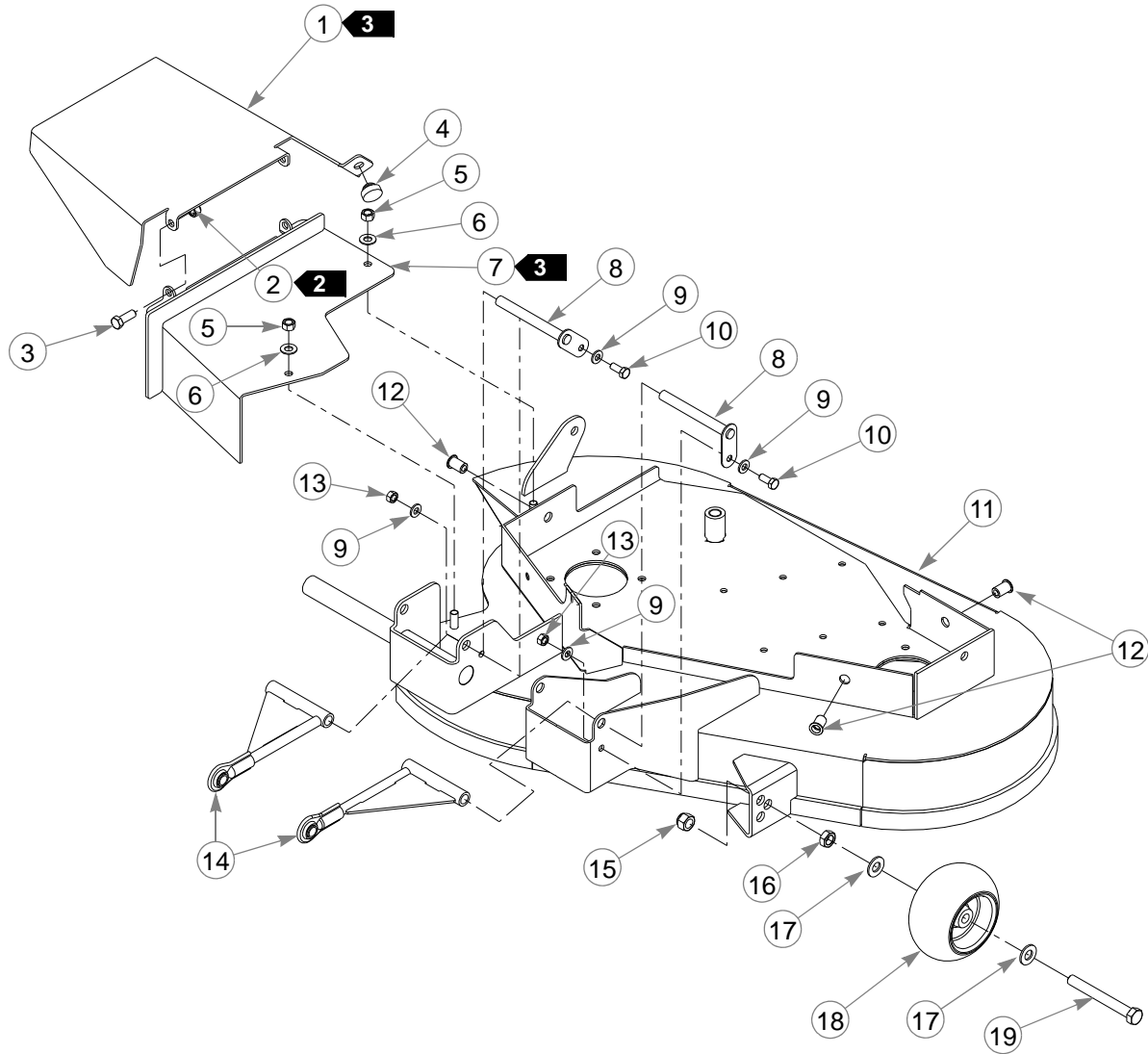
NOTES:

1. Inflate tire to 55.2-82.7 kPa.
2. Torque to 88.1 N-m.
3. Used on 36" mowers only ((927343(CE) & 927376(CE))

Section 6

Deck Assembly 36" SN Prior to 10020000	6-2
Deck Assembly 36" SN Higher Than 10020000	6-4
Deck Pulley Assembly 36"	6-6
Deck Assembly 42" SN Prior to 10020000	6-10
Deck Assembly 42" SN Higher Than 10020000	6-12
Deck Pulley Assembly 42"	6-14
Blade Spindle Assembly Breakdown	6-17

Deck Assembly 36" SN Prior to 10020000



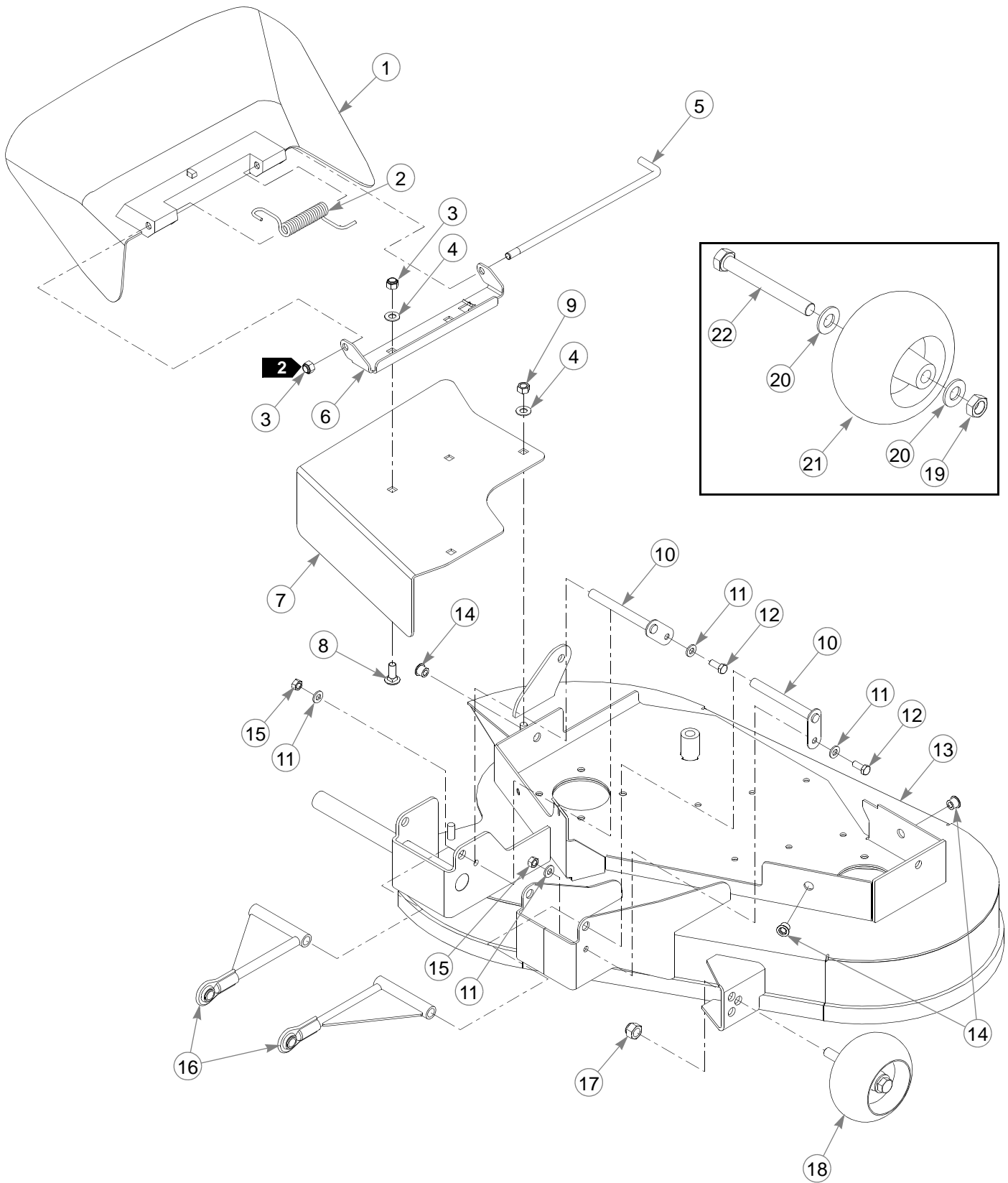
Deck Assembly 36" SN Prior to 10020000

	INDEX NO.	SERVICE PART NO.	MFG. PART NO.	QTY.	DESCRIPTION
3	1	N/A	N/A	1	DISCHARGE CHUTE
	2	086660	086660	2	NT .375-16 HX LK NY
	3	036244	036244	2	CS .375-16 X 1.00 HX G5 ZNYC
	4	781880	781880	1	BUMPER, .500X 1.00X .312 X.188
	5	054502	054502	2	NT .375-16 HX GRD 5 ZNYC
	6	767954	767954	2	FW .406 X .812 X .060 SAE HD ZN
3	7	N/A	N/A	1	DISCHARGE CHUTE BASE
	8	322974	322974	2	PULLBAR PIN
	9	768523	768523	4	FW .343 X .687 X .051/.080 HD ZNYC
	10	034280	034280	2	CS .312-18 X .75 HX G5 ZNYC
	11	546937	315572	1	36" FASTRAK DECK
	12	808485	808485	3	5/16-18 THREAD RIVET NUT
	13	034272	034272	2	NT .312-18 HX G5 ZNYC
	14	330225	330225	2	PULLBAR
	15	781567	781567	1	NT .50-13 HX LK NY
	16	053199	N/A	1	NT .500-13 HX JAM ZNYC
	17	767962	N/A	2	FW .531 X 1.063 X .090 SAE HD ZN
	18	031997	N/A	1	ANTI-SCALP WHEEL
	19	781708	N/A	1	CS .500-13 X 4.25 HX G5 ZNYC
1		788166	788166	1	ANTI SCALP WHEEL ASSY

NOTES:

1. Includes items 16 through 19.
2. Do not torque, Item 1 (Discharge Chute) must pivot freely.
3. Items 1 and 7 are no longer available. For replacement, order Kit No. 112904.
4. Items 1-7 are not installed on CE decks.

Deck Assembly 36" SN Higher Than 10020000



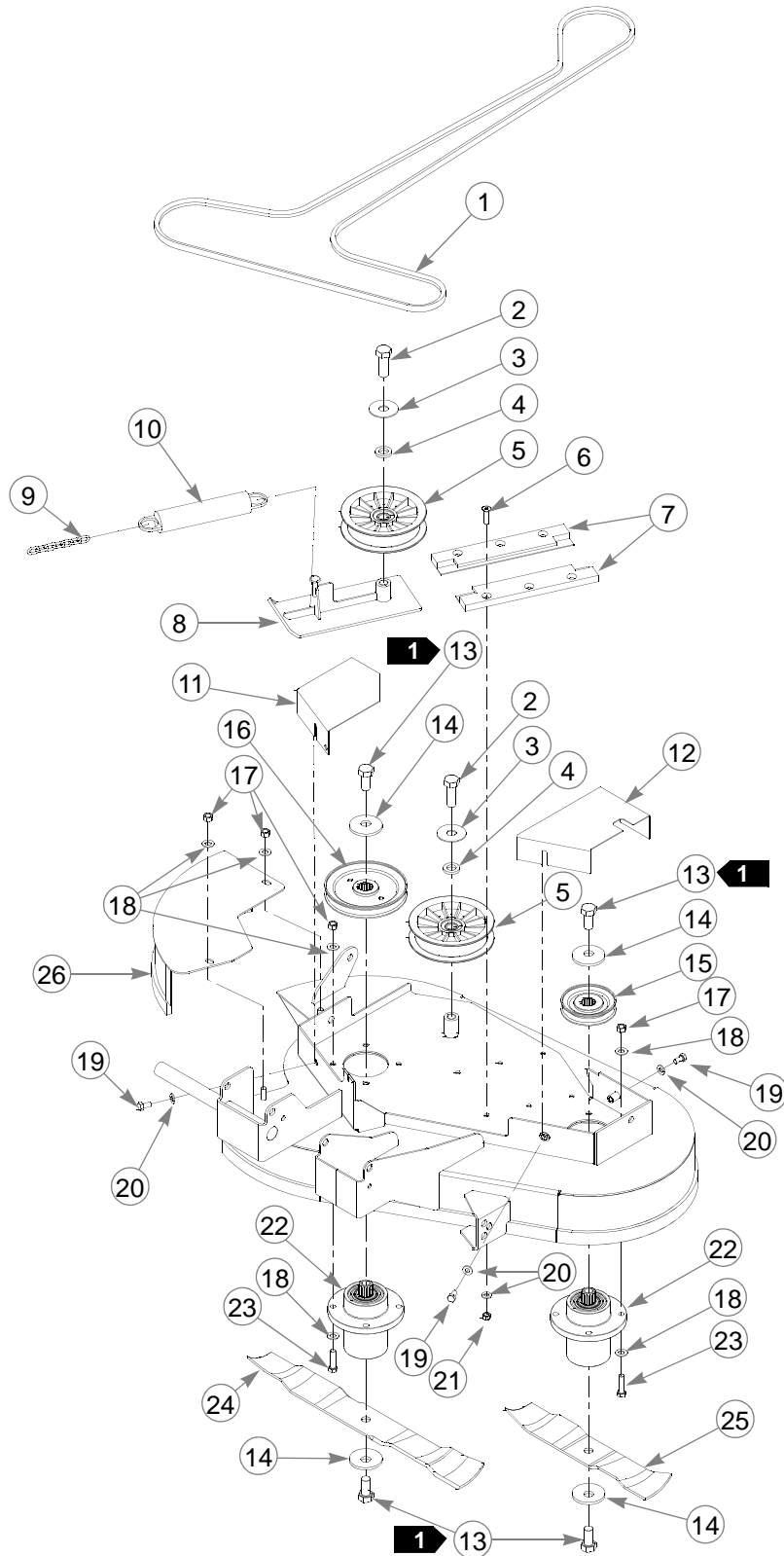
Deck Assembly 36" SN Higher Than 10020000

INDEX NO.	SERVICE PART NO.	MFG. PART NO.	QTY.	DESCRIPTION	
1	601806	601806	1	DISCHARGE CHUTE	
2	601824	601824	1	TORSION SPRING	
3	086660	086660	3	NT .375-16 HX LK NY	
4	767954	767954	4	FW .406 X .812 X .060 SAE HD ZN	
5	601843	601843	1	CHUTE PIN	
6	111067	111067	1	CHUTE BRACKET	
7	112876	112876	1	DISCHARGE ADAPTER	
8	025395	036244	2	CS .375-16 X 1.00 HX G5 ZNYC	
9	054502	054502	2	NT .375-16 HX GRD 5 ZNYC	
10	322974	322974	2	PULLBAR PIN	
11	768523	768523	4	FW .343 X .687 X .051/.080 HD ZNYC	
12	034280	034280	2	CS .312-18 X .75 HX G5 ZNYC	
13	546937	315572	1	36" FASTRAK DECK	
14	808485	808485	3	5/16-18 THREAD RIVET NUT	
15	034272	034272	2	NT .312-18 HX G5 ZNYC	
16	330225	330225	2	PULLBAR	
17	781567	781567	1	NT .50-13 HX LK NY	
1	18	788166	788166	1	ANTI SCALP WHEEL ASSY
19	053199	N/A	1	NT .500-13 HX JAM ZNYC	
20	767962	N/A	2	FW .531 X 1.063 X .090 SAE HD ZN	
21	031997	N/A	1	ANTI-SCALP WHEEL	
22	781708	N/A	1	CS .500-13 X 4.25 HX G5 ZNYC	

NOTES:

1. Includes items 19 through 22.
2. Do not torque, Item 1 (601806 Discharge Chute) must pivot freely.
3. Items 1-8 are not installed on CE decks.

Deck Pulley Assembly 36"



Deck Pulley Assembly 36"

INDEX NO.	SERVICE PART NO.	MFG. PART NO.	QTY.	DESCRIPTION
1	793828	793828	1	A-SECTION BELT (FASTRAK 36")
2	025007	025007	2	CS .625-11 X 1.75 HX G5 ZNYC
3	046821	046821	2	FW .656 X 2.00 X .078 ZNYC
4	797449	797449	2	FW .650 X 1.00 X .180 ZNYC G5
5	784504	784504	2	IDLER PULLEY, 5.00"OD, 5/8"ID
6	784199	784199	6	CS .312-18 X 1.25 FLT SH
7	601434	601434	2	UHMW IDLER SLIDE
8	321877	321877	1	DECK IDLER
9	364315	059931	1	SPRING CHAIN
10	781302	781302	1	IDLER SPRING
11	321398	321398	1	RIGHT PULLEY COVER
12	330324	330324	1	LEFT PULLEY COVER
13	781872	781872	4	CS .625-11 X 1.25 HX G5 ZNYC
14	782474	782474	4	CW .631 2.250 X .187 PNT
15	793786	793786	1	DECK PULLEY (FASTRAK 36")
16	793778	793778	1	DECK PULLEY (FASTRAK 36"/42")
17	054502	054502	8	NT .375-16 HX GRD 5 ZNYC
18	767954	767954	16	FW .406 X .812 X .060 SAE HD ZN
19	064006	064006	4	CS .312-18 X .625 HX G5 ZNYC
20	768523	768523	10	FW .343 X .687 X .051/.080 HD ZNYC
21	058776	058776	6	NT .312-18 HX NL ZNYC
22	783506	783506	2	BLADE SPINDLE ASSEMBLY
23	005116	005116	8	CS .375-16 X 1.375 HX G5 ZNYC
24	794214	794214	1	BLADE,20.50"-MUL-F-CW
25	794206	794206	1	BLADE,13.75"-MUL-F-CW
26	333930	333930	1	DISCHARGE COVER W/A
3	28	079186	N/A	6 CS .312-18 X 1.25 HX G5
3	29	712927	N/A	6 FW .344 X 1.00 X .12 HRD ZN
3	30	785832	N/A	2 DECK IDLER UHMW CLAMP
3	31	787069	N/A	2 DECK IDLER UHMW RISER
3	32	017129	N/A	6 FW .440 X 1.000 X .083 ZNYC

NOTES:

1. Torque to 160 N-m.
2. See "Belt Routing and Tensioning" on page 7-3 for belt tensioning
3. Deck belt tensioning idler for mowers with serial numbers prior to 06010082 (see FIG 6-1).

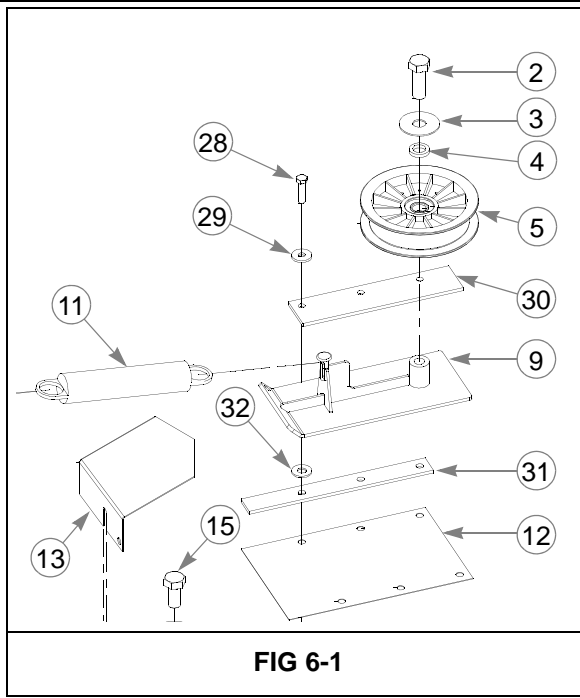
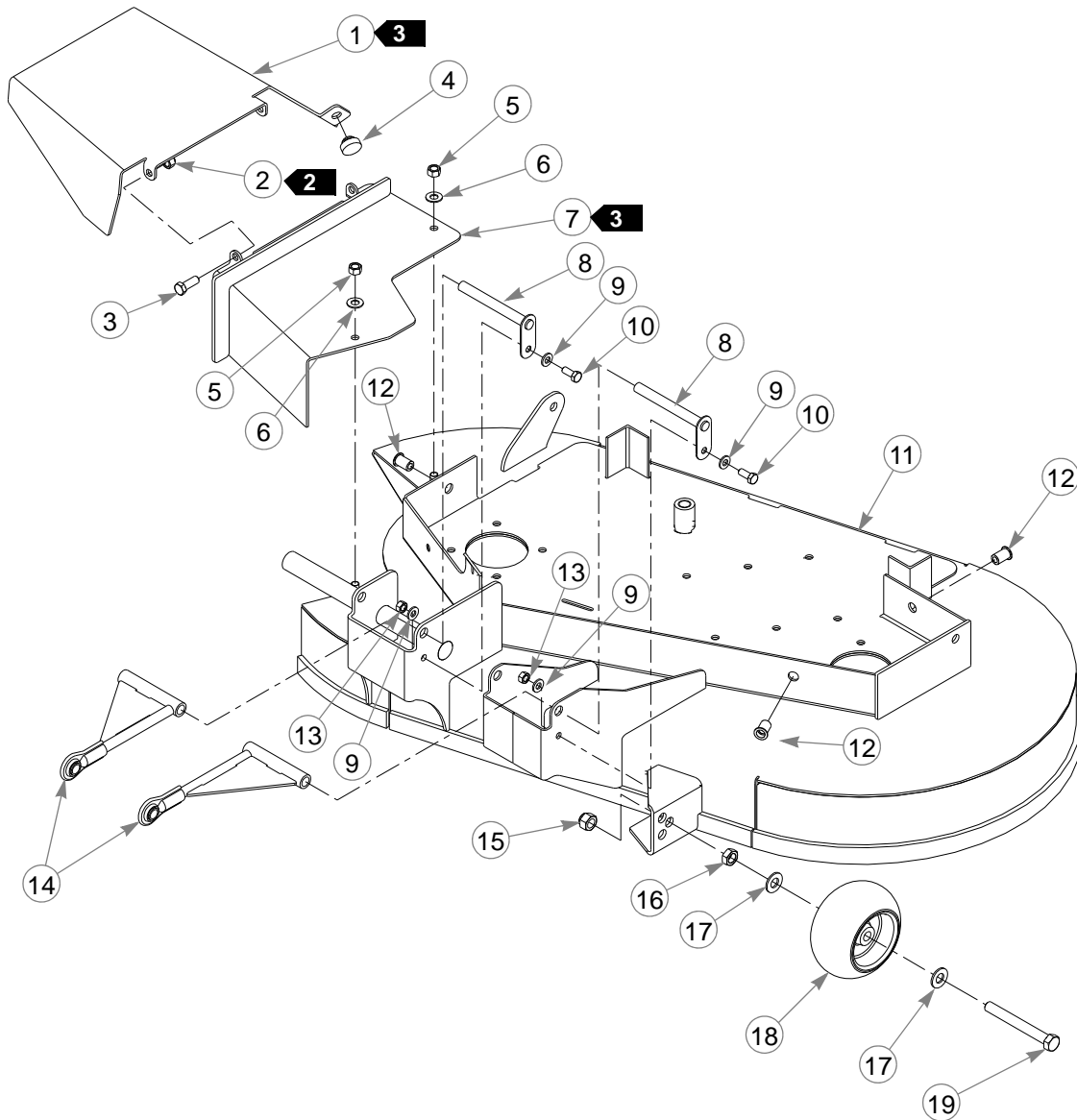


FIG 6-1

This page intentionally left blank.

Deck Assembly 42" SN Prior to 10020000



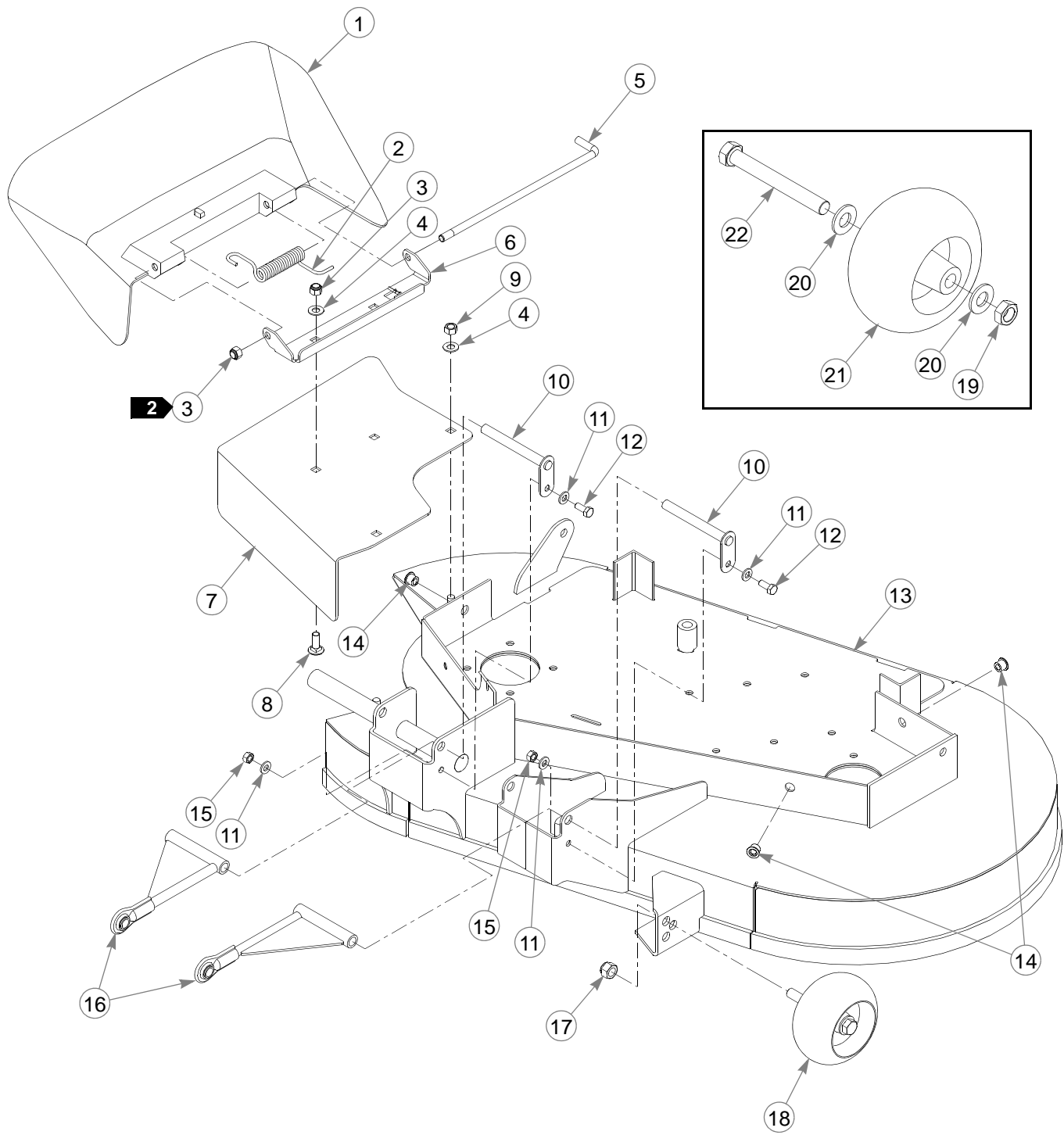
Deck Assembly 42" SN Prior to 10020000

	INDEX NO.	SERVICE PART NO.	MFG. PART NO.	QTY.	DESCRIPTION
3	1	N/A	N/A	1	DISCHARGE CHUTE
	2	086660	086660	2	NT .375-16 HX LK NY
	3	036244	036244	2	CS .375-16 X 1.00 HX G5 ZNYC
	4	781880	781880	1	BUMPER, .500X 1.00X .312 X.188
	5	054502	054502	2	NT .375-16 HX GRD 5 ZNYC
	6	767954	767954	2	FW .406 X .812 X .060 SAE HD ZN
3	7	N/A	N/A	1	DISCHARGE CHUTE BASE
	8	322974	322974	2	PULLBAR PIN
	9	768523	768523	4	FW .343 X .687 X .051/.080 HD ZNYC
	10	034280	034280	2	CS .312-18 X .75 HX G5 ZNYC
	11	546929	316919	1	42" FASTRAK DECK
	12	808485	808485	3	5/16-18 THREAD RIVET NUT
	13	034272	034272	2	NT .312-18 HX G5 ZNYC
	14	330225	330225	2	PULLBAR
	15	781567	781567	1	NT .50-13 HX LK NY
	16	053199	N/A	1	NT .500-13 HX JAM ZNYC
	17	767962	N/A	2	FW .531 X 1.063 X .090 SAE HD ZN
	18	031997	N/A	1	ANTI-SCALP WHEEL
	19	781708	N/A	1	CS .500-13 X 4.25 HX G5 ZNYC
1		788166	788166	1	ANTI SCALP WHEEL ASSY

NOTES:

1. Includes items 16 through 19.
2. Do not torque, Item 1 (Discharge Chute) must pivot freely.
3. Items 1 and 7 are no longer available. For replacement, order Kit No. 112904.
4. Items 1-7 are not installed on CE mowers.

Deck Assembly 42" SN Higher Than 10020000



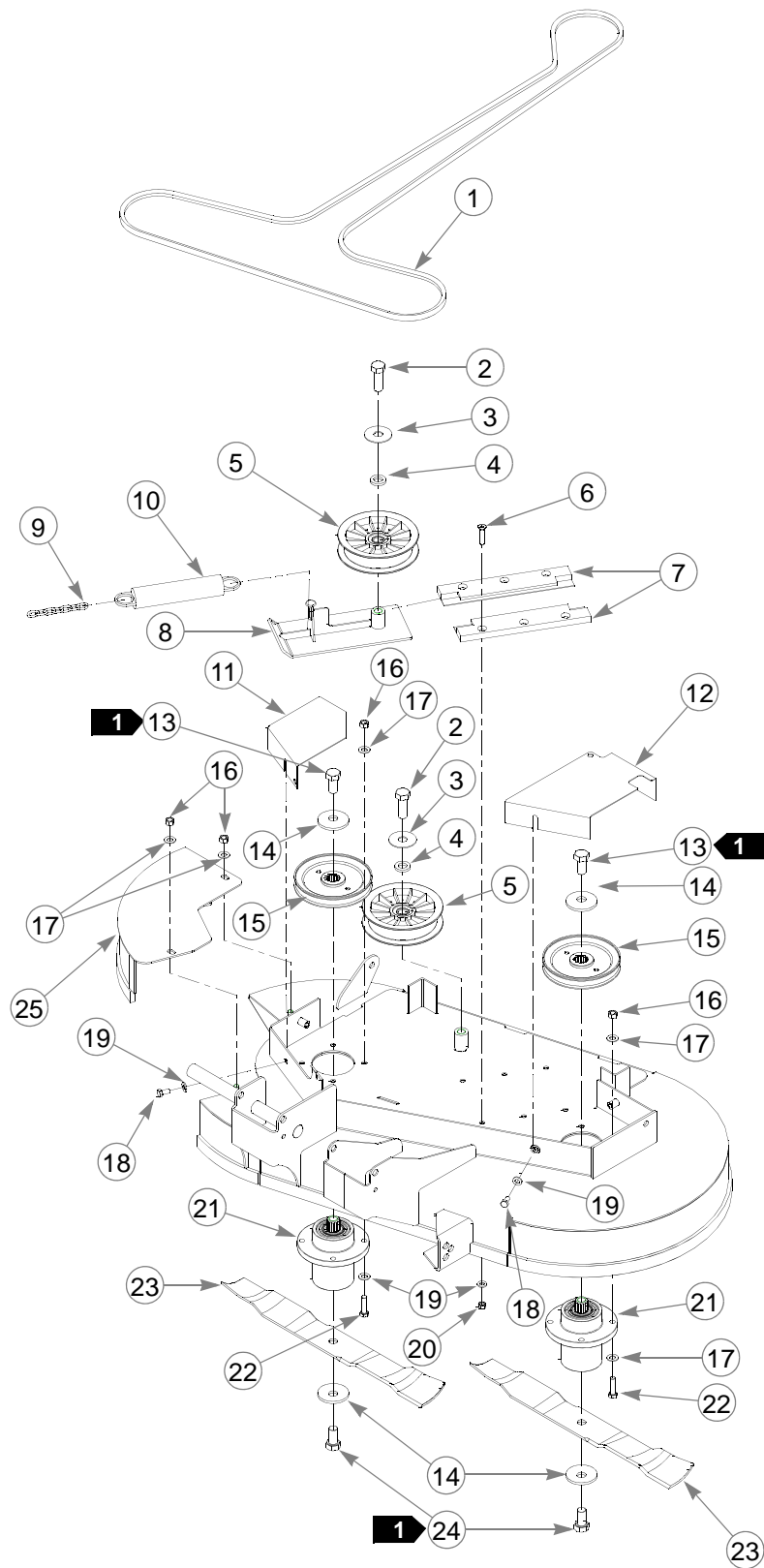
Deck Assembly 42" SN Higher Than 10020000

INDEX NO.	SERVICE PART NO.	MFG. PART NO.	QTY.	DESCRIPTION	
1	601806	601806	1	DISCHARGE CHUTE	
2	601824	601824	1	TORSION SPRING	
3	086660	086660	3	NT .375-16 HX LK NY	
4	767954	767954	4	FW .406 X .812 X .060 SAE HD ZN	
5	601843	601843	1	CHUTE PIN	
6	111067	111067	1	CHUTE BRACKET	
7	112876	112876	1	DISCHARGE ADAPTER	
8	025395	036244	2	CS .375-16 X 1.00 HX G5 ZNYC	
9	054502	054502	2	NT .375-16 HX GRD 5 ZNYC	
10	322974	322974	2	PULLBAR PIN	
11	768523	768523	4	FW .343 X .687 X .051/.080 HD ZNYC	
12	034280	034280	2	CS .312-18 X .75 HX G5 ZNYC	
13	546929	316919	1	42" FASTRAK DECK	
14	808485	808485	3	5/16-18 THREAD RIVET NUT	
15	034272	034272	2	NT .312-18 HX G5 ZNYC	
16	330225	330225	2	PULLBAR	
17	781567	781567	1	NT .50-13 HX LK NY	
1	18	788166	788166	1	ANTI SCALP WHEEL ASSY
19	053199	N/A	1	NT .500-13 HX JAM ZNYC	
20	767962	N/A	2	FW .531 X 1.063 X .090 SAE HD ZN	
21	031997	N/A	1	ANTI-SCALP WHEEL	
22	781708	N/A	1	CS .500-13 X 4.25 HX G5 ZNYC	

NOTES:

1. Includes items 19 through 22.
2. Do not torque, Item 1 (601806 Discharge Chute) must pivot freely.
3. Items 1-8 are not installed on CE decks.

Deck Pulley Assembly 42"



Deck Pulley Assembly 42"

INDEX NO.	SERVICE PART NO.	MFG. PART NO.	QTY.	DESCRIPTION
1	793893	793893	1	A-SECTION BELT (FASTRAK 42")
2	025007	025007	2	CS .625-11 X 1.75 HX G5 ZNYC
3	046821	046821	2	FW .656 X 2.00 X .078 ZNYC
4	797449	797449	2	FW .650 X 1.00 X .180 ZNYC G5
5	784504	784504	2	IDLER PULLEY, 5.00"OD, 5/8"ID
6	784199	784199	6	CS .312-18 X 1.25 FLT SH ZY
7	601434	601434	2	UHMW IDLER SLIDE
8	321877	321877	1	DECK IDLER
9	259812	059931	1	SPRING CHAIN
10	781302	781302	1	IDLER SPRING
11	321398	321398	1	RIGHT PULLEY COVER
12	321042	321042	1	LEFT PULLEY COVER
13	781872	781872	2	CS .625-11 X 1.25 HX G5 ZNYC
14	782474	782474	4	CW .631 2.250 X .187 PNT
15	793778	793778	2	DECK PULLEY (FASTRAK 36"/42")
16	054502	054502	8	NT .375-16 HX GRD 5 ZNYC
17	767954	767954	16	FW .406 X .812 X .060 SAE HD ZN
18	064006	064006	4	CS .312-18 X .625 HX G5 ZNYC
19	768523	768523	10	FW .343 X .687 X .051/.080 HD ZNYC
20	058776	058776	6	NT .312-18 HX NL ZNYC
21	783506	783506	2	BLADE SPINDLE ASSEMBLY
22	005116	005116	8	CS .375-16 X 1.375 HX G5 ZNYC
23	794214	794214	2	BLADE,20.50"-MUL-F-CW
24	781872	781872	2	CS .625-11 X 1.25 HX G5 ZNYC
25	333930	333930	1	DISCHARGE COVER W/A
27	712927	N/A	6	FW .344 X 1.00 X .12 HRD ZN
28	785832	N/A	2	DECK IDLER UHMW CLAMP
29	787069	N/A	2	DECK IDLER UHMW RISER
30	017129	N/A	6	FW .440 X 1.000 X .083 ZNYC

NOTES:

1. Torque to 160 N-m.
2. See "Belt Routing and Tensioning" on page 7-3 for belt tensioning
3. Deck belt tensioning idler for mowers with serial numbers prior to 06010082 (see FIG 6-2).
4. Item 7 (601434) replaces idler slide components 600171, 600189 and 786335 found on mowers with serial numbers prior to 08010000.

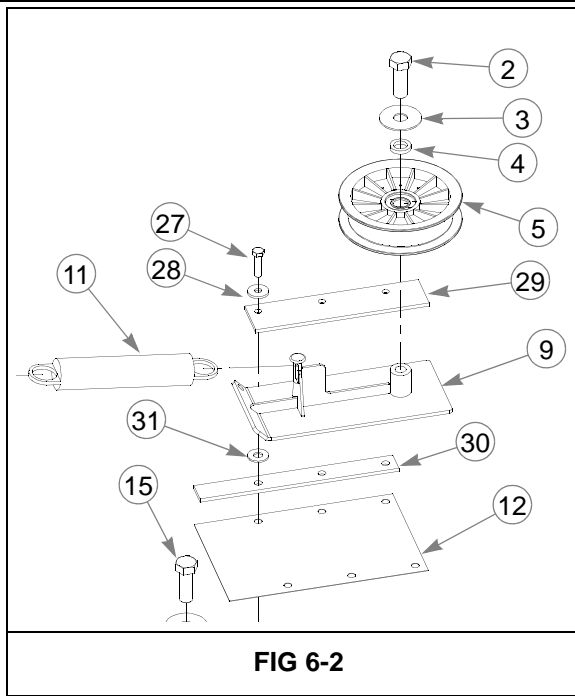
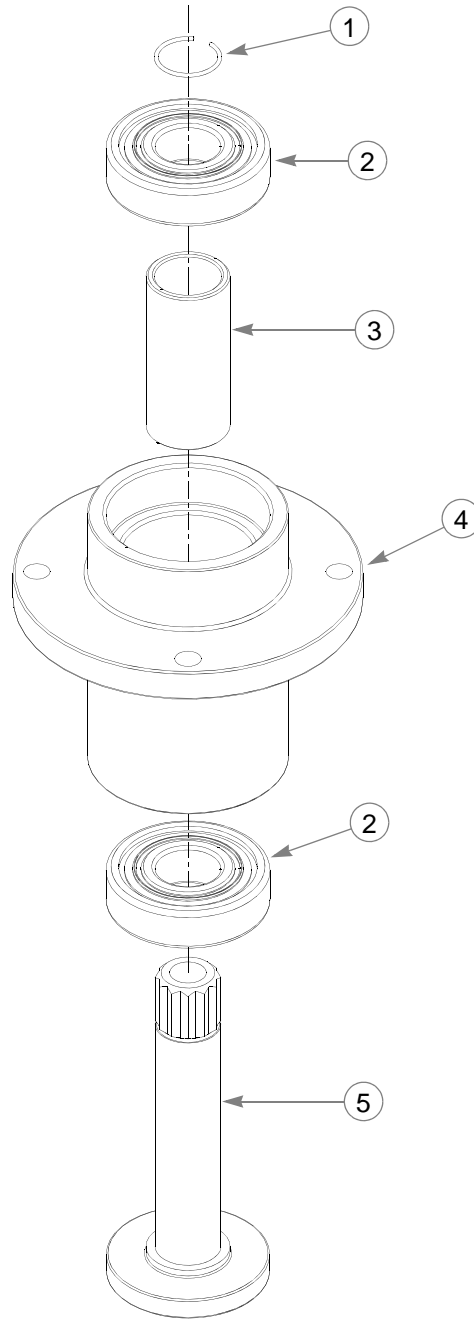


FIG 6-2

Blade Spindle Assembly Breakdown



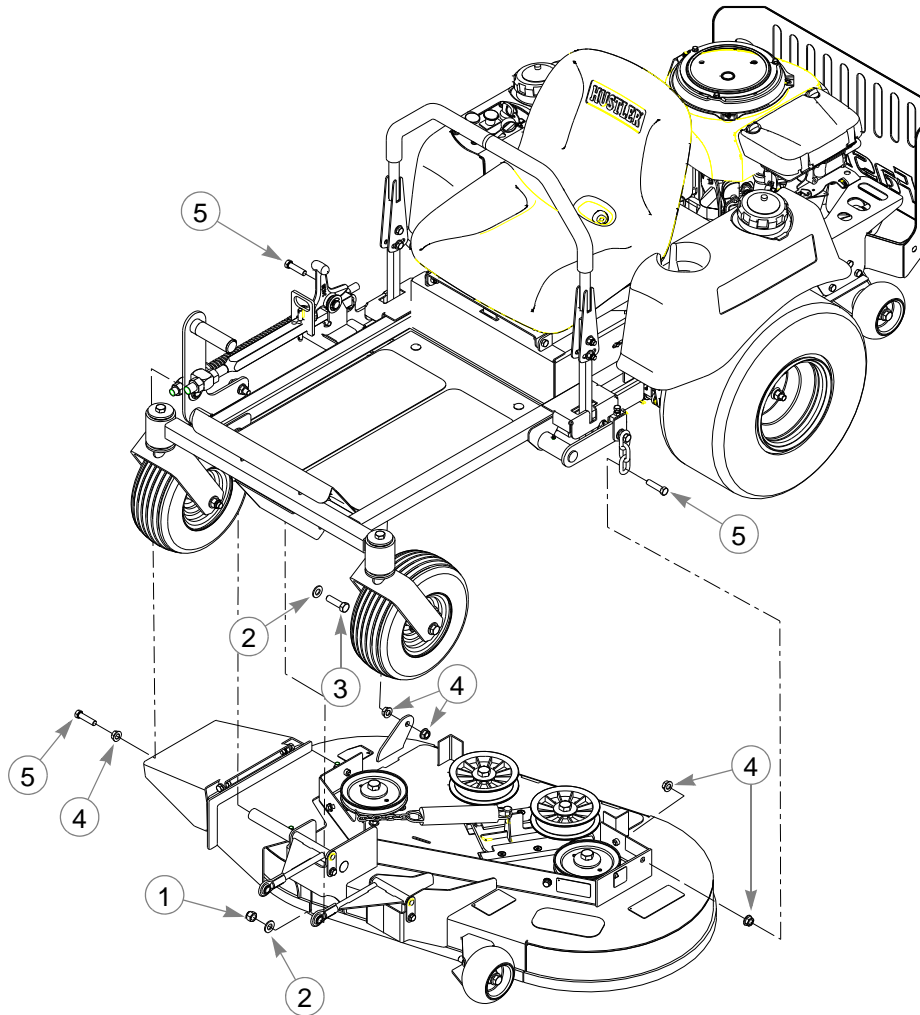
INDEX NO.	SERVICE PART NO.	MFG. PART NO.	QTY.	DESCRIPTION
1	783548	N/A	1	BLADE SPINDLE RETAINING RING
2	783555	N/A	2	BLADE SPINDLE BEARING
3	783530	N/A	1	BLADE SPINDLE SPACER
4	783514	N/A	1	BLADE SPINDLE HOUSING
5	783522	N/A	1	BLADE SPINDLE SHAFT

NOTES:

Section 7

Deck Installation	7-2
Belt Routing and Tensioning	7-3
Seat Installation	7-4

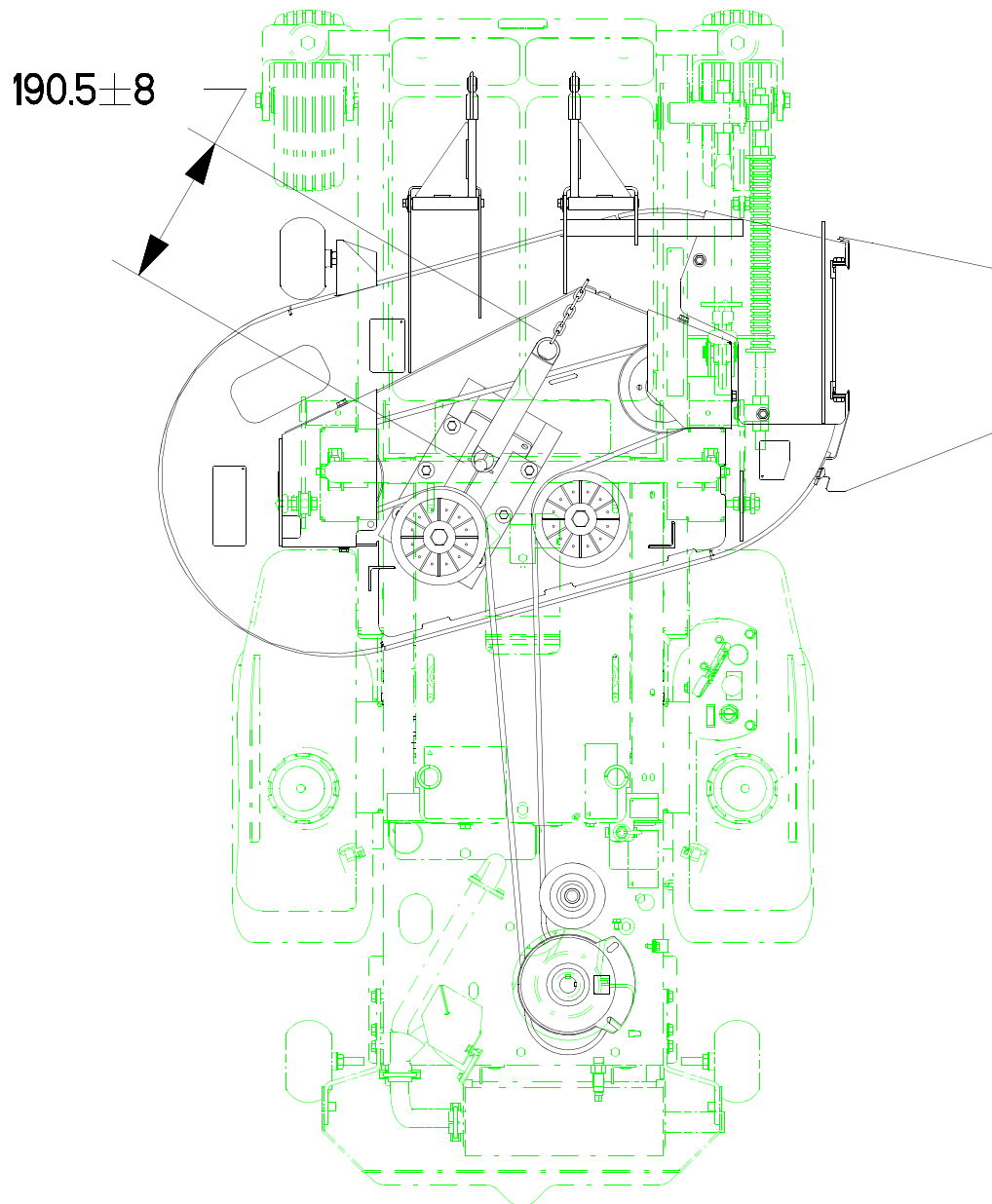
Deck Installation



INDEX NO.	SERVICE PART NO.	MFG. PART NO.	QTY.	DESCRIPTION
1	781567	781567	2	NT .500-13 HX GR 8 ZY NL
2	767962	767962	4	FW .531 X 1.063 X .090 SAE HD ZN
3	017616	017616	2	CS .500-13 X 1.75 HX G5 ZNYC
4	704643	704643	5	NT .437-14 HX FLG ZN
5	055749	055749	3	CS .437-14 X 1.75 HX G5 ZNYC

NOTES:

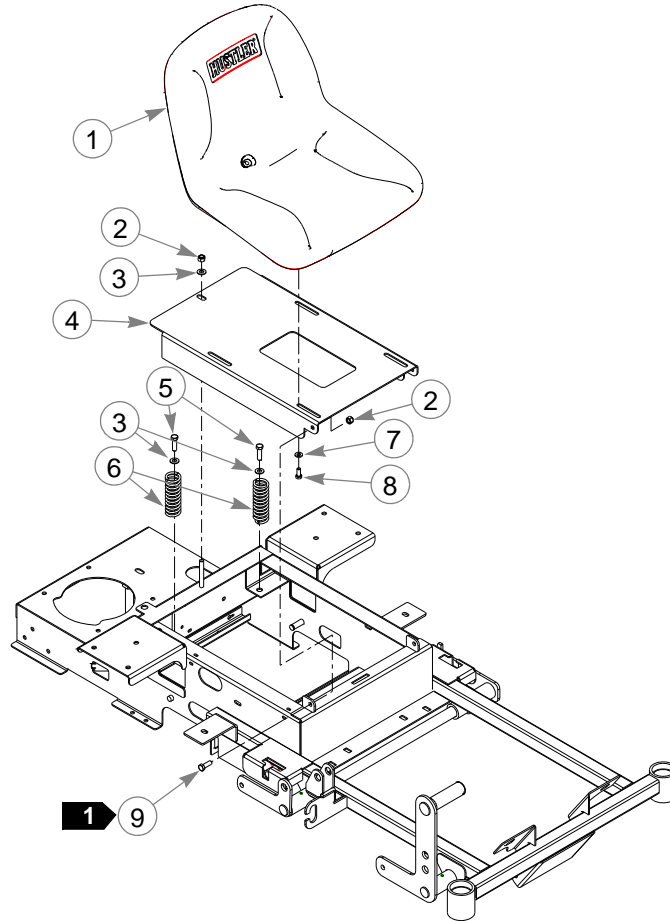
Belt Routing and Tensioning



NOTES:

1. Spring length after tensioning belt—measured from outside of hook to outside of hook.
2. Route belt as shown.

Seat Installation



INDEX NO.	SERVICE PART NO.	MFG. PART NO.	QTY.	DESCRIPTION
1	793679	793679	1	STANDARD MICHIGAN SEAT
2	086660	086660	3	NT .375-16 HX LK NY
3	767954	767954	3	FW .406 X .812 X .060 SAE HD ZN
4	320275	320275	1	SEAT PAN
5	052860	052860	2	CS .375-16 X 1.25 HX G5 ZNYC
6	793851	793851	2	COMPRESSION SPRING, 1.25X4.00X.188
7	768523	768523	4	FW .343 X .687 X .051/.080 HD ZNYC
8	034280	034280	4	CS .312-18 X .750 HX G5 ZNYC
9	036244	036244	2	CS .375-16 X 1.00 HX G5 ZNYC

NOTES:

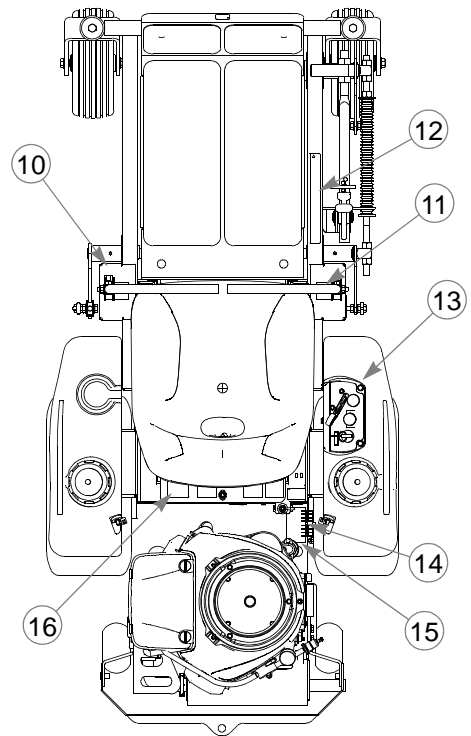
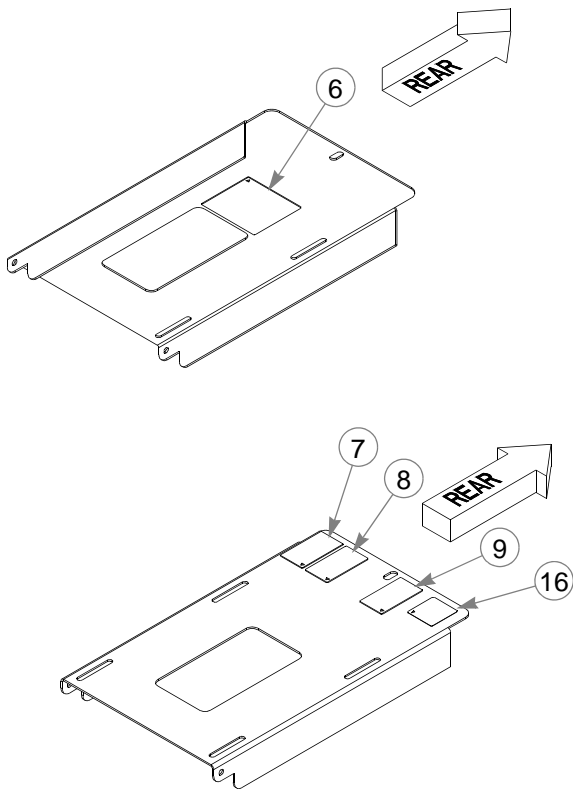
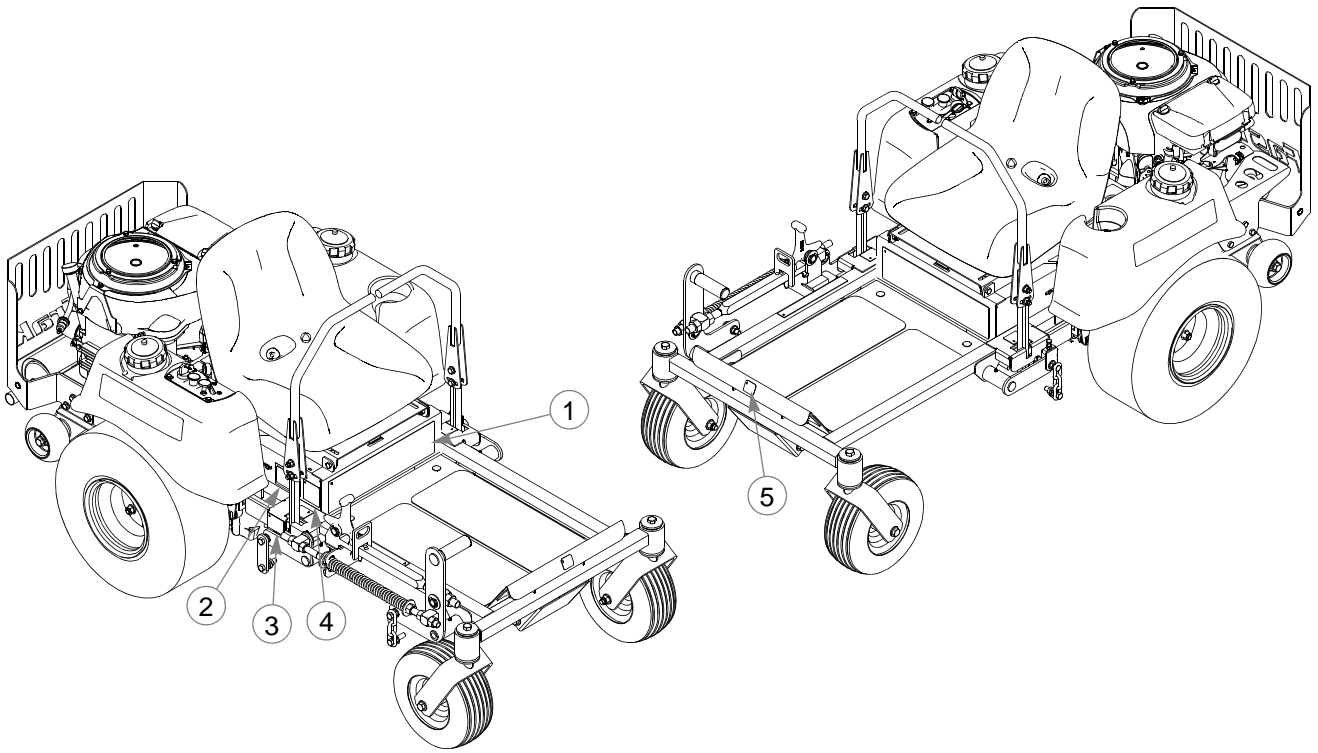
- Do not torque, Item 4 (320275 Seat Pan) must pivot on these fasteners.
- Available service parts and options for Michigan Seat:

797456	ARMREST KIT (ROUND STYLE)
793315	SEAT SWITCH KIT

Section 8

Mower Decals	8-2
42" Deck Decals	8-4
36" Deck Decals	8-5

Mower Decals

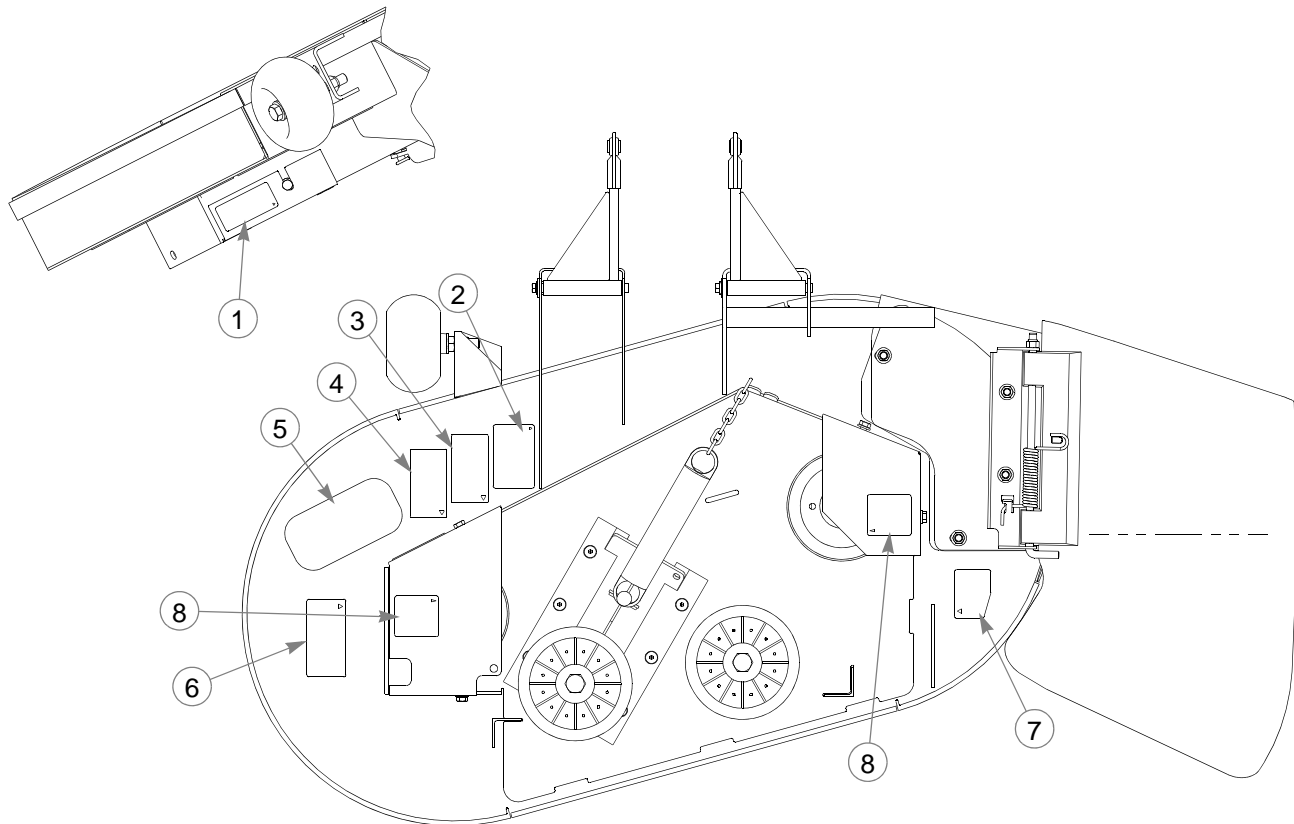


Mower Decals

INDEX NO.	SERVICE PART NO.	MFG. PART NO.	QTY.	DESCRIPTION
1	784710	784710	1	FASTRAK DECAL
2	N/A	083279	1	TURF PROD SERIAL NO PLATE
3	776310	776310	1	CE MARK DECAL
4	794834CE	794834CE	1	CE 100 DBA LIMIT DECAL
5	793588	793588	1	HUSTLER NAME PLATE
6	727016CE	727016CE	1	CE BATTERY DECAL
7	789701CE	789701CE	1	READ OWNER'S MANUAL CE DECAL
8	789719CE	789719CE	1	READ SERVICE MANUAL CE DECAL
9	777029CE	777029CE	1	MAXIMUM ANGLE CE DECAL
10	785139	785139	1	FASTRAK LEFT SIDE STEERING DECAL
11	785220	785220	1	FASTRAK RIGHT SIDE STEERING DECAL
12	794305CE	794305CE	1	DECK HEIGHT DECAL
13	793703	793703	1	INSTRUMENT PANEL DECAL
14	793554	793554	1	FASTRAK 36/42 FUEL VALVE DECAL
15	771436CE	771436CE	1	CE STABILIZER ROLLERS DECAL
16	602562	602562	1	NO SERVICE DECAL

NOTES:

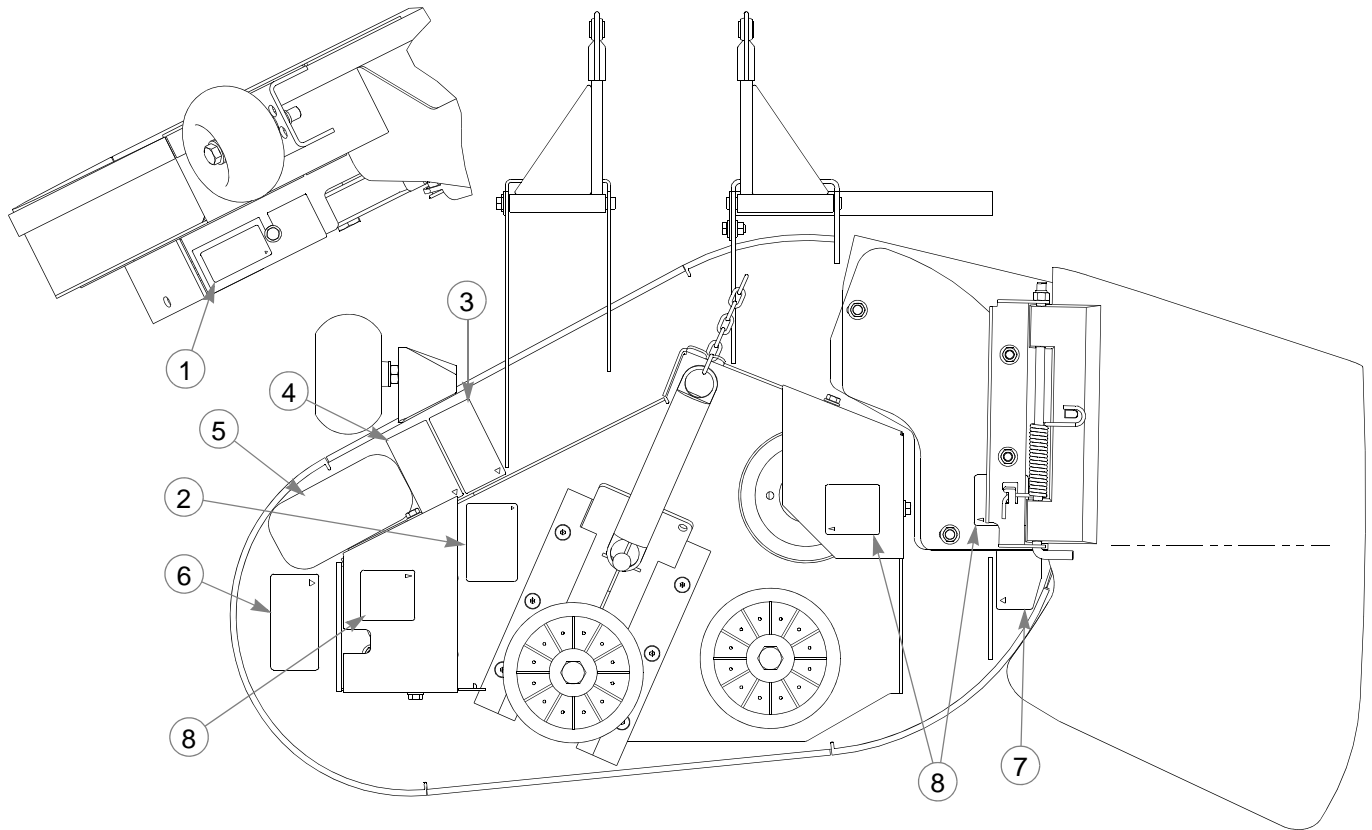
42" Deck Decals



INDEX NO.	SERVICE PART NO.	MFG. PART NO.	QTY.	DESCRIPTION
1	793521	793521	1	42" DECK ID DECAL
2	793687	793687	1	BELT ROUTING DECAL
3	789701CE	789701CE	1	READ OWNER'S MANUAL CE DECAL
4	789719CE	789719CE	1	READ SERVICE MANUAL CE DECAL
5	794503	794503	1	STEP TREAD
6	793570CE	793570CE	1	DECK WARNING DECAL
7	794297CE	794297CE	1	DISCHARGE CHUTE DECAL
8	602562	602562	2	NO SERVICE DECAL

NOTES:

36" Deck Decals



INDEX NO.	SERVICE PART NO.	MFG. PART NO.	QTY.	DESCRIPTION
1	793513	793513	1	36" DECK ID DECAL
2	793687	793687	1	BELT ROUTING DECAL
3	789701CE	789701CE	1	READ OWNER'S MANUAL CE DECAL
4	789719CE	789719CE	1	READ SERVICE MANUAL CE DECAL
5	794503	794503	1	STEP TREAD
6	793570CE	793570CE	1	DECK WARNING DECAL
7	794297CE	794297CE	1	DISCHARGE CHUTE DECAL
8	602562	602562	3	NO SERVICE DECAL

NOTES:

Numerical Index

Part No.	Page No.	Part No.	Page No.	Part No.	Page No.
Index					
Part Numbers					
000323	4-15	059832	4-17	348458	3-3
000331	4-15	059931	3-7, 6-7	352054	3-9
005108	3-9	060731	3-9	352112	3-9
005116	6-7, 6-15	061077	5-4	360131	3-3
005231	4-3, 4-7	061101	3-5, 3-7	360487	3-9
011320	2-4	064006	6-7, 6-15	364315	3-5, 3-7, 6-7
015495	3-3	068478	1-1	378273	4-3, 4-7
015818	4-15	068551	3-9	546895	2-2
016253	4-3, 4-7, 4-11	076422	2-4	546911	2-2
017004	4-11	079186	3-9, 6-7	546929	6-11, 6-13
017129	6-7, 6-15	083279	8-3	546937	6-3, 6-5
017616	7-2	086660	3-7, 3-9, 6-3, 6-5, 6-11, 6-13, 7-4	600221	3-9
019521	5-4	089789	3-9	600973	3-5, 3-7
024927	3-2, 3-9, 4-3, 4-11	102707	4-17	601156	1-1
025007	3-5, 3-7, 6-7, 6-15	104786	4-4, 4-7, 4-11	601162	3-7
025296	3-3, 3-5, 3-7	111067	6-5, 6-13	601325	4-3, 4-7, 4-11
025395	6-5, 6-13	112876	6-5, 6-13	601393	4-7
026237	4-17	259812	6-15	601434	6-7, 6-15
028118	3-5, 3-7	306969	5-2	601806	6-5, 6-13
029868	3-2	314989	3-2	601824	6-5, 6-13
029876	3-9, 4-3, 4-7	315101	3-9	601843	6-5, 6-13
030817	4-11	315382	3-9	602562	8-3, 8-4, 8-5
031997	2-3, 6-3, 6-5, 6-11, 6-13	315440	2-2	603080	4-11
034272	3-3, 3-5, 3-7, 3-9, 4-3, 4-7, 4-11, 6-3, 6-5, 6-11, 6-13	315572	6-3, 6-5	603085	3-7
034280	6-3, 6-5, 6-11, 6-13, 7-4	316836	2-3, 4-3, 4-7, 4-11	603086	3-7
035238	3-5	316844	2-4	704478	4-11
036244	4-11, 6-3, 6-11, 7-4	316919	6-11, 6-13	704643	3-3, 7-2
036384	3-5, 3-7	320242	2-2	704932	4-17
042630	5-2	320267	2-4	705178	3-9
043570	4-3	320275	7-4	705954	5-2
044255	4-11	320275	7-4	706531	4-3, 4-7, 4-11
045088	4-7	320580	2-3	710087	3-5, 3-7
045898	4-17	321042	6-15	712257	4-17
046821	6-7, 6-15	321059	4-17	712372	4-3, 4-7, 4-11
048553	3-9	321398	6-7, 6-15	712919	3-7
050161	4-3, 4-7	321877	6-7, 6-15	712927	4-3, 4-7, 6-7, 6-15
052860	4-3, 4-7, 4-11, 7-4	322974	6-3, 6-5, 6-11, 6-13	712976	5-2
053199	2-3, 6-3, 6-5, 6-11, 6-13	324046	3-5, 3-7	714998	4-17
054502	2-4, 6-3, 6-5, 6-7, 6-11, 6-13, 6-15	325464	3-9	718288	3-5, 3-9
055749	3-3, 7-2	330225	6-3, 6-5, 6-11, 6-13	721134	3-7
055822	4-15	330274	4-3, 4-7, 4-11	727016CE	8-3
055939	3-2	330324	6-7	739144	4-3, 4-7, 4-11
055947	4-17	333930	6-7, 6-15	740696	3-2
056077	4-3, 4-11	334045	3-3	745059	4-15
058776	6-7, 6-15	335695	3-5, 3-7	747303	1-1
		335893	3-5, 3-7	756270	3-3
		338442	1-1	763417	4-3, 4-7, 4-11
		339689	5-2	767954	2-4, 3-9, 4-3, 4-7, 4-11, 4-15, 6-3, 6-5, 6-7, 6-11, 6-13, 6-15, 7-4
		344267	2-3, 5-2		
		344291	4-3, 4-7		
		348284	3-3		
		348318	3-3		

Part No.	Page No.	Part No.	Page No.	Part No.	Page No.
767962	2-3, 3-3, 5-2, 6-3, 6-5, 6-11, 6-13, 7-2	784918	4-3, 4-7, 4-11	793505	3-3
768044	5-2	785030	4-17	793513	8-5
768259	3-9	785048	4-3, 4-7, 4-11	793521	8-4
768515	4-3, 4-11, 4-17	785063	3-2	793554	8-3
768523	3-5, 3-7, 3-9, 4-3, 4-7, 4-11, 6-3, 6-5, 6-7, 6-11, 6-13, 6-15, 7-4	785139	8-3	793570CE	8-4, 8-5
771428	3-2, 4-11	785220	8-3	793588	8-3
771436CE	8-3	785295	4-15	793612	3-9
772806	5-3	785485	2-4	793646	3-9
772814	5-3	785543	4-4, 4-7	793679	7-4
776310	8-3	785808	4-17	793687	8-4, 8-5
776476	4-17	785832	6-7, 6-15	793703	8-3
777029CE	8-3	786632	3-2	793760	4-3, 4-7, 4-11
778365	4-17	786640	3-2	793778	6-7, 6-15
779306	4-15	786657	4-17	793786	6-7
781153	3-5, 3-7	787069	6-7, 6-15	793794	1-1
781211	3-9	787226	1-1	793802	1-1
781229	3-3	787234	1-1	793810	4-17
781260	3-9	787242	1-1	793828	1-1, 6-7
781294	3-3	787267	4-3	793836	1-1, 3-5, 3-7
781302	6-7, 6-15	788166	2-3, 6-3, 6-5, 6-11, 6-13	793844	2-4
781567	2-3, 3-9, 5-2, 6-3, 6-5, 6-11, 6-13, 7-2	788232	3-5, 3-7	793851	7-4
781708	2-3, 6-3, 6-5, 6-11, 6-13	788877	3-5, 3-7	793869	2-2
781831	3-3	789701CE	8-3, 8-4, 8-5	793885	4-11
781872	6-7, 6-15	789719CE	8-3, 8-4, 8-5	793893	1-1, 6-15
781880	4-15, 6-3, 6-11	791251	4-3, 4-7, 4-11	794081	4-15
781922	3-9	791608	4-3, 4-7	794172	4-3, 4-7
782474	6-7, 6-15	791723	3-5, 3-7	794180	4-3, 4-7, 4-11
782664	4-3, 4-7	792013	3-5, 3-7	794206	6-7
782995	3-3	792762	4-11	794214	6-7, 6-15
783134	5-4	792788	4-11	794297CE	8-4, 8-5
783142	5-4	792796	4-3, 4-7, 4-11	794305CE	8-3
783159	5-4	792895	3-5	794313	1-1
783506	6-7, 6-15	792911	3-5	794370	1-1
783514	6-17	792929	3-5, 3-7	794396	3-9
783522	6-17	792945	4-11	794404	3-5
783530	6-17	792945	4-11	794503	8-4, 8-5
783548	6-17	792952	4-11	794552	3-5
783555	6-17	792960	4-15	794644	4-3, 4-7, 4-11
783696	3-9	792978	4-15	794834CE	8-3
784199	6-7, 6-15	792986	4-15	794883	3-9
784223	5-2	793059	3-9	795005	3-5, 3-7
784264	5-4	793083	4-4	795013	3-5, 3-7
784272	5-4	793117	4-11	795021	3-5, 3-7
784280	5-4	793125	4-3, 4-7, 4-11	795039	3-5, 3-7
784504	6-7, 6-15	793133	4-11	795047	3-5, 3-7
784603	5-2	793141	4-3, 4-7	795054	3-5, 3-7
784710	8-3	793158	4-11	795062	3-5, 3-7
784827	3-5, 3-7	793166	4-3, 4-7	795229	3-9
		793174	3-9	795625	3-9
		793182	3-9	796516	4-11
		793315	7-4	796615	3-9
		793331	1-1	797050	3-9
		793406	5-4	797449	6-7, 6-15
		793489	3-2	797456	7-4

Part No.	Page No.	Part No.	Page No.	Part No.	Page No.
797753	3-9	798785	4-3, 4-7	927350CE	1-1
797761	3-9	798793	4-3, 4-7	927368CE	1-1
797779	3-9	798801	4-3, 4-7	927376CE	1-1
798363	3-5, 3-7	799221	4-15	N	
798371	3-5, 3-7	808485	6-3, 6-5, 6-11, 6-13	N	4-3, 4-7
798769	4-3, 4-7	808493	2-2, 2-3		
798777	4-3, 4-7	927343CE	1-1		